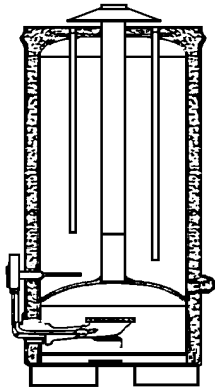


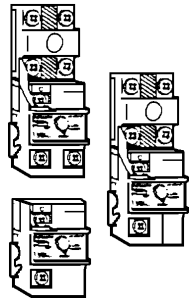
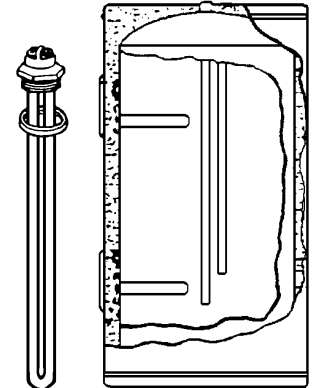
## WATER HEATER PARTS



### Elements

Watts	List	1"ips Screw-In Elements		
		Volts	Amps	Ohms
1500	\$ 11.85	120 / 240v	12.5 / 6.3	9.6 / 38.4
2000	12.95	120 / 240v	16.7 / 8.3	7.2 / 28.8
2500	14.00	240v	10.4	23.0
4500	15.50	240v	18.8	12.8
6000	33.30	240v	25.0	9.6

*Watts = Volts x Amps - Ohms = Volts / Amps*



### Thermostats

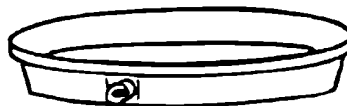
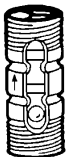
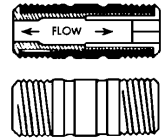
Upper*	Lower	Single* Element
\$ 26.10	12.75	33.75

\* With High Limit



### Miscellaneous Parts & Accessories

Dip Tubes	\$ 7.75	12.25	Run-off tubes
Heavy Element Wrenches	10.40	5.75	Outlet Nipples
Anode Rod Magnesium	19.95	15.95	Outlet Nipples w/checks
Anode Rod Aluminum	24.50	13.50	2" Gas Valve extension
Intermatic EH-40 240V Timmer	145.00	136.00	Intermatic EH-10 120V Timmer



### Aluminum Water Heater Pans

19" Rd	22" Rd	24" Rd	26" Rd	30" Rd	36" Rd	31" x 29"	Drains
\$ 19.80	21.25	22.50	32.15	48.00	72.00	78.00	\$ 4.95



w/drain (side or bottom outlet)