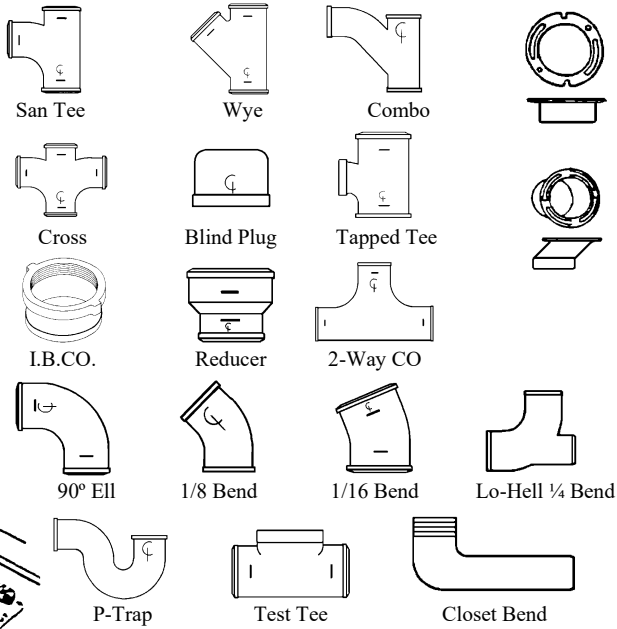
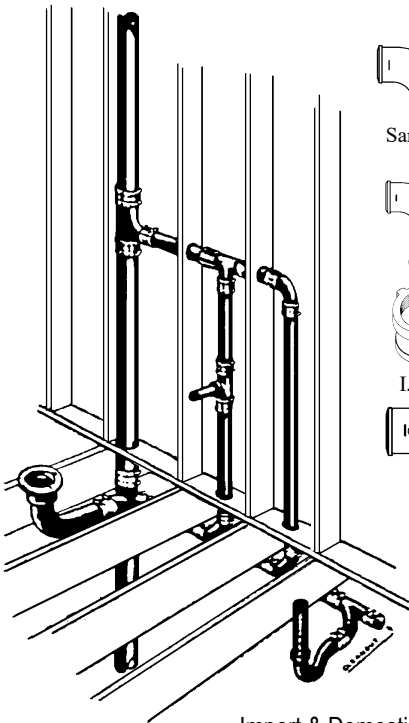


## CAST IRON NO-HUB SOIL PIPE FITTINGS



4" x 3" Closet Flange	\$ 42.41
4" x 4" Closet Flange	49.61
4" x 2" Offset Flange	53.00
4" Self Caulking Flange	35.00
3" Self Caulking Flange	35.00
4" S/C Offset Flange	30.00
3x4x6x15" Closet Bend	162.17
4x4x6x15" Closet Bend	194.92
3" x 2" Lo-heel 1/4 Bend	50.41

Import & Domestic	One Reducing Size ↗ ↘						
	1 1/2"	2"	3"	4"	2"R	3"R	4"R
San Tee .....	\$ 29.40	31.47	38.80	73.43	31.82	34.40	56.43
Wye .....	29.70	29.07	42.41	67.79		31.43	58.93
Combo .....	31.65	33.17	52.20	100.87	35.28	41.55	76.97
Cross .....	44.44	53.54	82.53	156.28		73.67	126.97
Tapped San Tee...	38.80	39.49	101.17		34.40	54.78	
Tapped Adapter...	25.33	26.18			26.18		
Reducers (small).....					16.53	16.39	24.78
I.B. Clean Out .....					21.48	24.53	27.28
2-Way Clean Out ..			305.36	295.71			
90° Ell standard....	20.93	22.80	31.90	47.03			
90° Ell long sweep..		31.82	41.55	73.51			
1/8 Bend (45°) .....	17.41	19.66	26.40	34.57			
1/16 Bend (22 1/2°)....	18.43	20.08	23.35	30.88			
P-Trap .....	35.28	33.17	72.82	128.84			
Test Tee .....		28.38	46.72	81.98			
Blind Plug .....	11.36	11.44	16.53	26.18			

**PIPE** (Priced per 100')

1 1/2" <	\$ 1,545.00
2" <	1,310.00
3" <	1,810.00
4" <	2,350.00

**NO-HUB CAST IRON COUPLINGS**

1 1/2"	2"	3"	4"	2 x 1 1/2"	3 x 2"	4 x 3"
\$ 5.10	5.10	6.25	7.50	7.00	10.50	13.75

