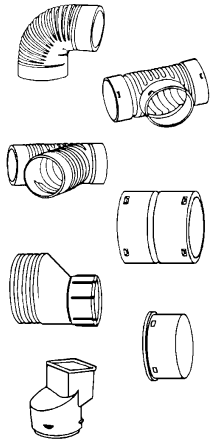


DRAINAGE PIPE - FITTINGS - BOXES & BASINS

CORRUGATED FITTINGS



	3"	4"	6"
90° Elbows	\$ 12.15	14.75	26.25
Tee	9.45	11.85	26.25
Wye	13.75	20.00	30.75
Couplings	5.45	4.35	9.98
Reducers		7.25	11.45
End Cap	3.75	7.45	7.75
Downspout Adapter	9.75		

DRAINAGE PIPE*

Corrugated 100' Rolls

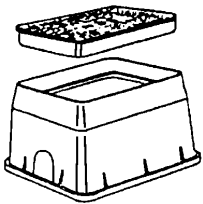
3" < \$ 104.00 / Roll

4" < 123.00 / Roll

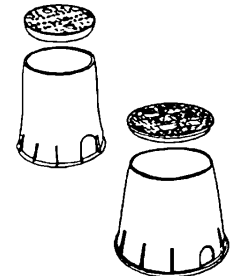
6" < 335.00 / Roll

* Perforated or Solid

PLASTIC VALVE BOXES



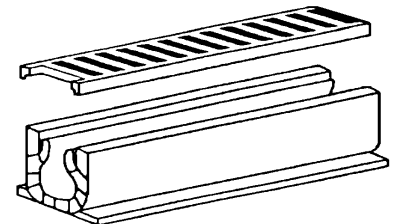
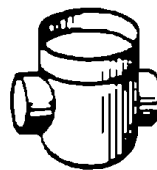
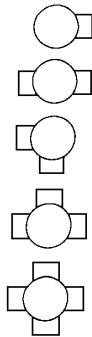
		Size Top	x	Bottom	x Height
Econo Round (208)	\$ 9.45	6"	x	9"	x 7½"
Standard Round (212)	37.25	9¾"	x	12⅝"	x 10"
Standard Box (214)	58.40	(10½ x 15¾)	x	(15 x 20¾)	x 12¾"
Jumbo Box (218)	105.00	(15 x 21½)	x	(18¾ x 25¾)	x 12"
Large Box (224)	365.00	(17½ x 30¾)	x	(24½ x 37⅝)	x 15"



SPEE-D-BASINS

Outlets

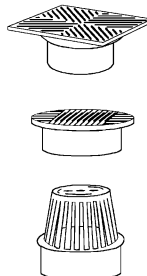
NDS-101	\$ 22.98	Single
NDS-201	22.98	180° Double
NDS-250	22.98	90° Double
NDS-300	41.52	3-Way
NDS-350	48.43	4-Way



GRATES

Size

NDS-950	\$ 24.30	9" Square
NDS-772	15.34	7" Square
NDS-05	9.61	6" Square
NDS-07(01)	6.61	5(4)" Square
NDS-20	16.77	8" Round
NDS-50	13.47	6" Round
NDS-13(16)	4.85	4(3)" Round
NDS-80	21.57	6" Atrium
NDS-75	16.09	4" Atrium
NDS-70	10.68	3" Atrium

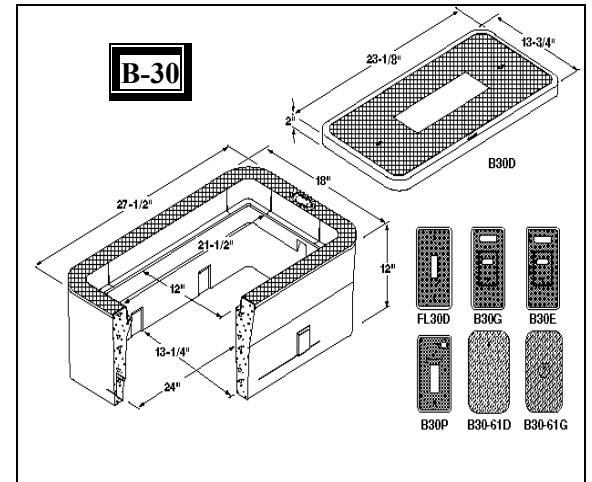
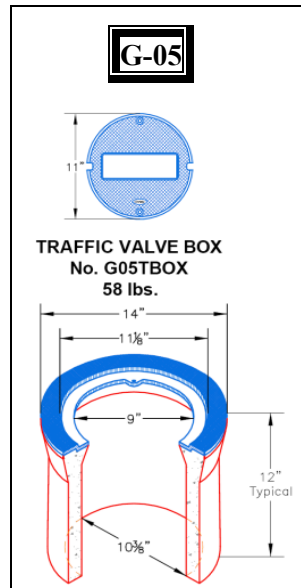
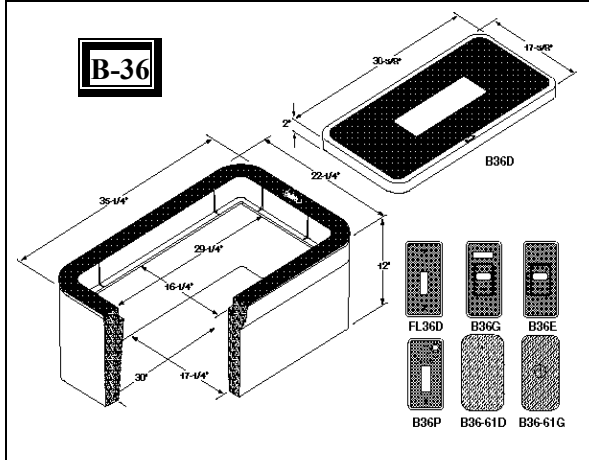
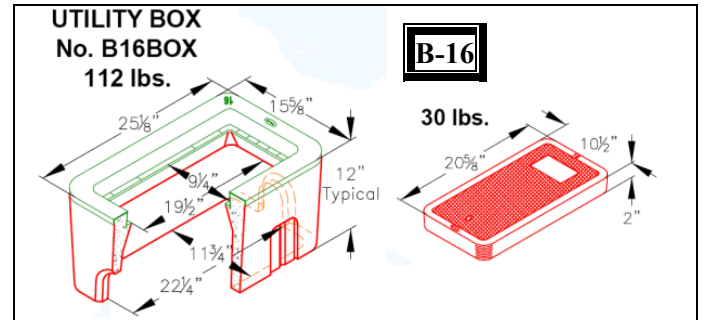
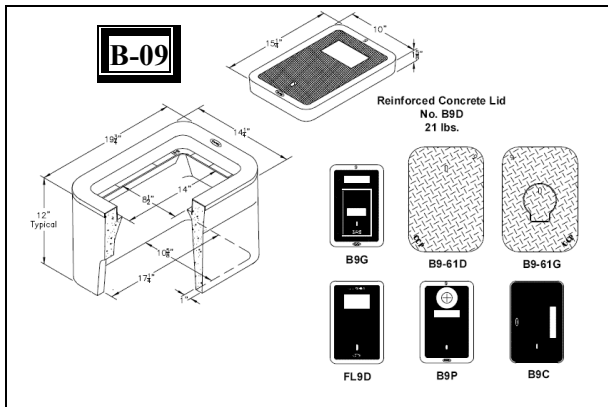
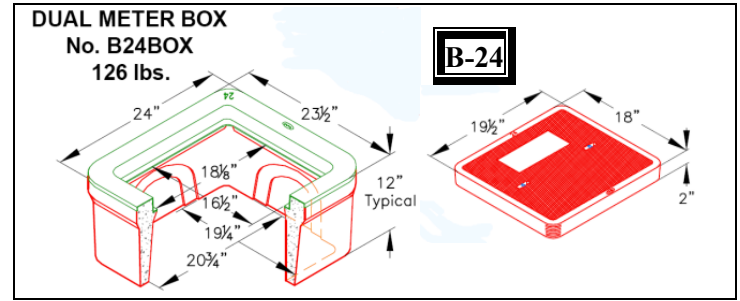
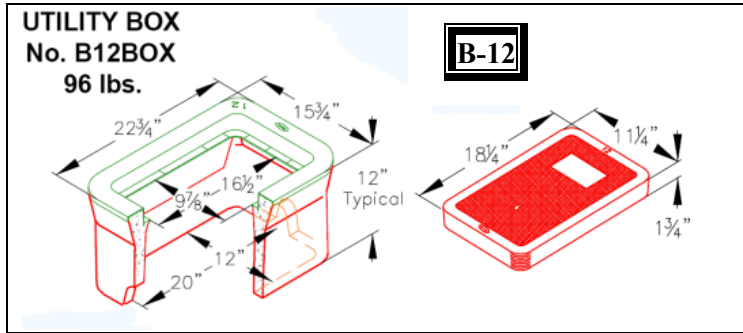


SPEE-D CHANNEL DRAIN

Model

4' Channel Drain	\$ 47.16	400
2' Channel Grate	33.49	241
2' x 3"(4") Outlet Section	50.95	234
Channel Coupling	9.86	248
Channel End Cap	9.76	247
2"(3") End Spigot Adapter	12.40	246/249
7" Tee Section with grate	82.57	2371
7" 90° Section with grate	66.03	2381
7" 45° Section with grate	78.43	2301
7" Cross Section with grate	114.40	2361

Concrete Valve Box



	Valve Box + Lid	Lid Only	Size (x 12"Height)
G-05	\$ 89.00	39.00	14" OD Top - 10 3/8" ID Bottom
B-09	99.00	56.00	14 5/16" x 19 3/4" OD Top - 10 1/4" x 16 3/4" ID Bottom
B-12	111.00	61.00	15 3/4" x 22 3/4" OD Top - 12" x 20" ID Bottom
B-16	125.00	69.00	15 5/8" x 25 1/8" OD Top - 11 3/4" x 22 1/4" ID Bottom
B-24	145.00	85.00	23 1/2" x 24" OD Top - 19 1/4" x 20 3/4" ID Bottom
B-30	158.00	92.00	18" x 27 1/2" OD Top - 13 1/4" x 24 1/4" ID Bottom
B-36	180.00	100.00	22" x 35" OD Top - 17 1/8" x 30 1/4" ID Bottom