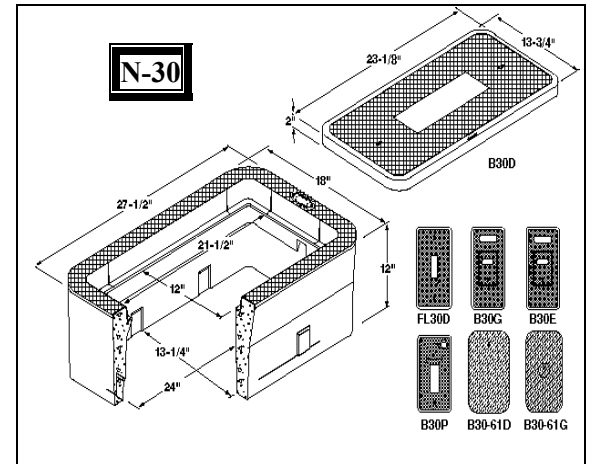
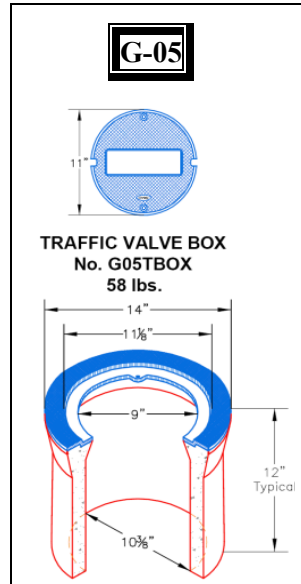
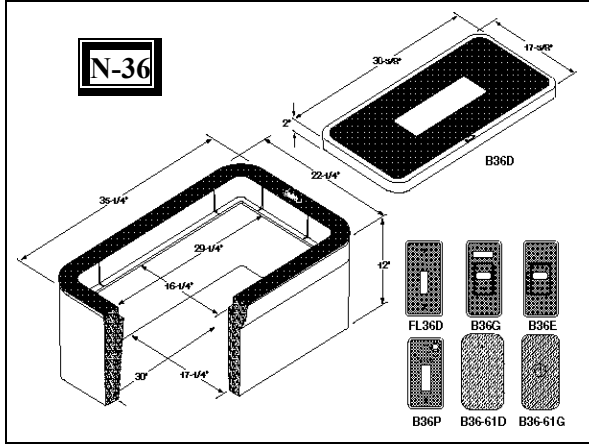
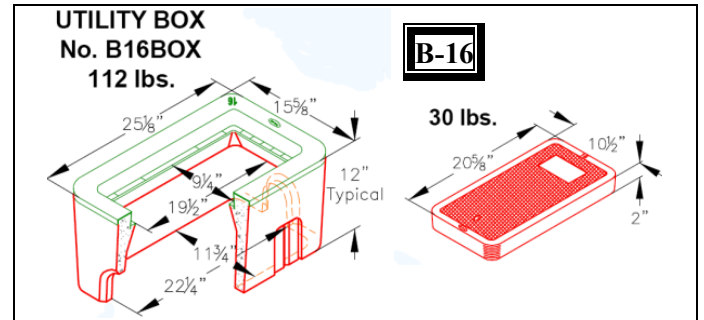
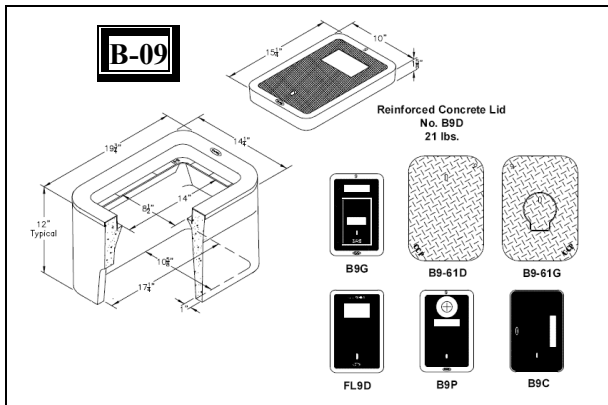
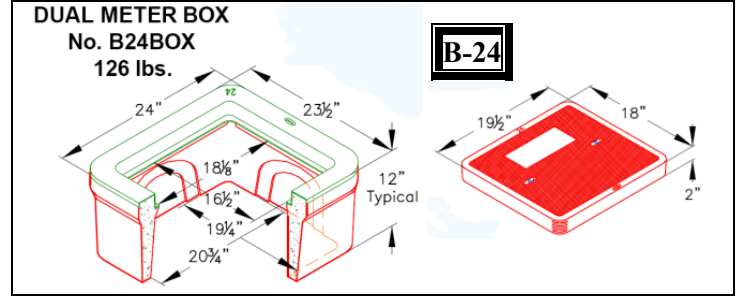
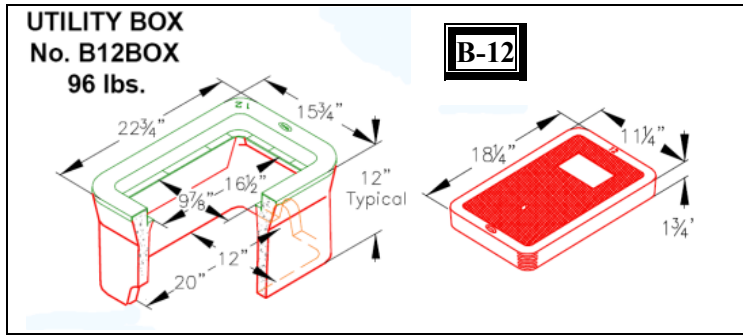


Concrete Valve Box



	Valve Box + Lid	Lid Only	Size (x 12" Height)
G-05	\$ 98.00	42.00	14" OD Top - 10 3/8" ID Bottom
B-09	106.00	58.00	14 5/16" x 19 3/4" OD Top - 10 1/4" x 16 3/4" ID Bottom
B-12	125.00	65.00	15 3/4" x 22 3/4" OD Top - 12" x 20" ID Bottom
B-16	135.00	75.00	15 5/8" x 25 1/8" OD Top - 11 3/4" x 22 1/4" ID Bottom
B-24	155.00	88.00	23 1/2" x 24" OD Top - 19 1/4" x 20 3/4" ID Bottom
N-30	158.00	98.00	18" x 27 1/2" OD Top - 13 1/4" x 24 1/4" ID Bottom
N-36	180.00	110.00	22" x 35" OD Top - 17 1/8" x 30 1/4" ID Bottom