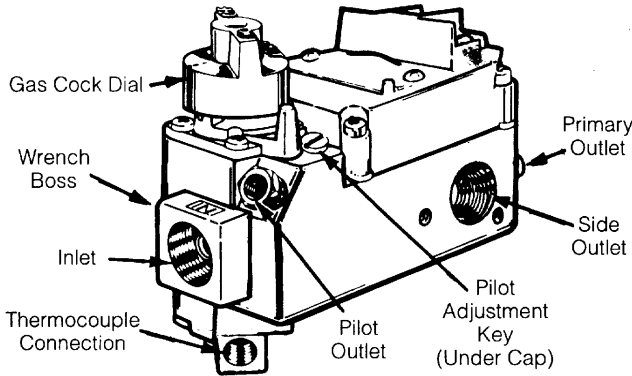


THERMOSTATS - THERMOCOUPLES - GENERATORS



Millivolt gas valve

PILOT GENERATORS

750 Millivolt

(provides enough current to support a wall thermostat)

1820-009/019	\$ 55.00
1830-001 less Gen	51.00
1950-001 35" PG9	57.00

THERMOSTATS



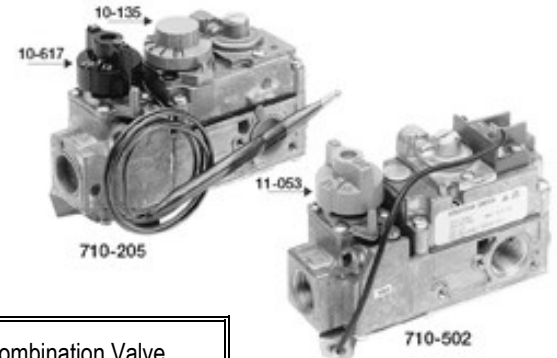
Heat-Cool Voltage

Regular Heating	M30	\$ 21.50	H	24v or MV
Heating - Cooling	M100	28.50	H-C	24v
Digital Set-Point	NP110 [Ⓢ]	39.00	H-C	24v or MV
5 Day/ 2 Day	P210	56.50	H	24v
Digital 7 Day	UP310	98.00	H	(Baterly -Backup)

Ⓢ = Set-Point battery powered thermostat - No set back.

GAS VALVES

With Natural Gas Regulator



710-402 (Robertshaw)	\$ 195.00	24v NAT GAS Combination Valve
710-502 (Robertshaw)	135.00	(pg9 - G251) mv NAT GAS Combination Valve
710-205 (Robertshaw)	220.00	(Thermocouple) mv Remote Bulb Valve

Universal Ignition Systems Intermittent Pilot Direct Spark Hot Surface

720-079 (Robertshaw)	\$ 195.00	Universal Ignition Valve 1/2 x 3/4 NAT/LPG GAS
780-001 (Robertshaw)	225.00	Universal Ignition Module Nonlockout
780-002 (Robertshaw)	240.00	Universal Ignition Module Lockout (LPG)



THERMOCOUPLES

(30mv for 24v gas valves)

18"	\$ 8.85
24"	9.25
30"	9.85
36"	10.45
48"	11.95

ACCESSORIES

10-038	\$ 34.00	Thermocouple Tester
10-389	95.00	Gas Manometer Kit
1922-001	31.00	High Limit Adapter
620-403	26.75	120Volt x 24v Transformer

