

## GOULD Shallow Well JET PUMPS

**Cast Iron** Pump Housing, **Noryl** Impeller, Shallow Well Nozzle  
 30/50 Pressure Switch & Pressure Gauge ♦ 115/230v ♦ **1 Year** Warranty  
 ♦ 1¼" Inlet - 1" outlet ♦ Built-in overload with auto reset



JS+ Shallow Well

### J+ Series Shallow Well Pumps

		Gpm @ 50psi & 5' Suction	Max. Shut-off psi	Gpm @ 50psi & 25' Suction	Max. Shut-off psi
<b>J5SH</b>	640.00	7.7 Gpm	83#	5.0 Gpm	73#
<b>J7S</b>	785.00	12.5 Gpm	70#	6.4 Gpm	59#
<b>J10S</b>	862.00	16.6 Gpm	74#	10.4 Gpm	65#
<b>J15S</b>	1,112.00	25.0 Gpm	80#	14.0 Gpm	71#

### JS+ Series Capacity (GPM) Discharge psi

Models	HP Max / Run Amps	Depth to Water	Discharge psi				Shut Off (PSI)
			30#	40#	50#	60#	
<b>J5SH</b>	1/2 HP 10.8 / 5.4 Amps 968 Watts 25 / 15 Breaker	5'	11.3	11.0	7.7	4.8	83
		10'	10.0	9.6	7.0	4.2	81
		15'	8.6	8.3	6.3	3.7	79
		20'	7.0	6.8	5.8	3.2	76
		25'	5.2	5.2	5.0	2.8	73
<b>J7S</b>	3/4 HP 14.8 / 7.4 Amps 1,336 Watts 30 / 15 Breaker	5'	21.3	18.3	12.5	6.6	70
		10'	18.8	17.3	11.3	5.0	68
		15'	16.4	15.5	9.6	3.7	66
		20'	13.6	13.2	8.3	2.0	63
		25'	10.0	9.9	6.4	1.0	59
<b>J10S</b>	1 HP 16.2 / 8.1 Amps 1,592 Watts 30 / 20 Breaker	5'	24.8	24.4	16.6	9.9	74
		10'	22.9	22.2	15.8	8.6	72
		15'	19.8	19.5	13.8	6.9	70
		20'	16.6	16.6	12.2	5.6	67
		25'	12.5	12.4	10.4	3.6	65
<b>J15S</b>	1 1/2 HP 21.4 / 10.7 Amps 1,950 Watts 40 / 20 Breaker	5'	26.6	26.3	25.0	15.6	80
		10'	24.7	24.3	22.6	13.9	77
		15'	21.6	21.5	20.4	12.9	75
		20'	18.1	18.0	17.6	12.0	73
		25'	14.0	14.0	14.0	10.1	71

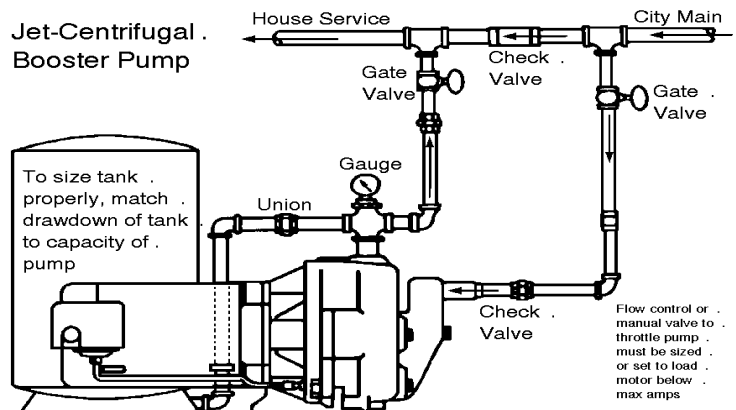
### Conversion Factors

1 Foot of Head = .433 psi

1 psi = 2.31 Feet of Head

50 psi = 115 Feet of Head

0 psi = 231 Feet of Head

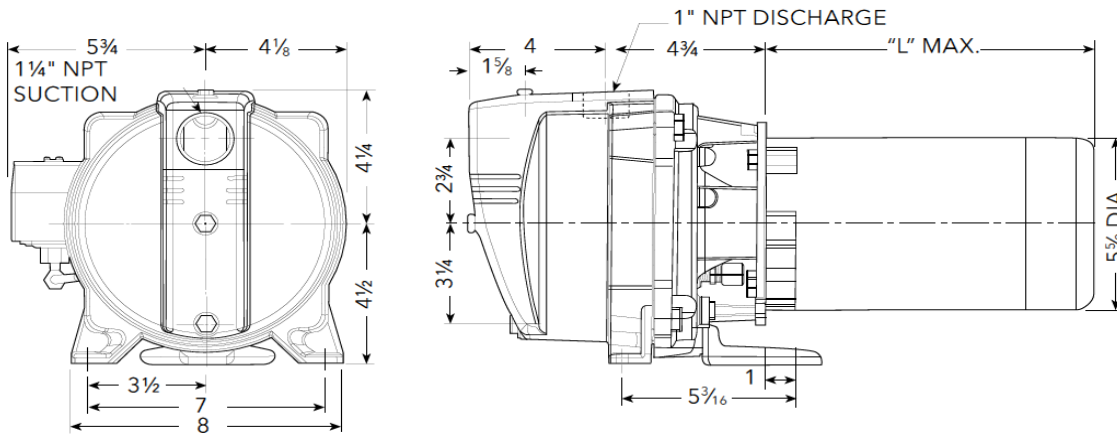


## Maximum Motor Cable Length (feet)

Motor Rating		Copper Wire Size					
Volts	HP	14	12	10	8	6	4
115	½	100'	160'	250'	390'	620'	960'
230	½	400'	650'	1020'	1610'	2510'	3880'
	¾	300'	480'	760'	1200'	1870'	2890'
	1	250'	400'	630'	990'	1540'	2380'
	1½	190'	310'	480'	770'	1200'	1870'
	2	150'	250'	390'	620'	970'	1530'

### DIMENSIONS AND WEIGHTS

Model	J5S	J5SH	J7S	J10S	J15S
Wt. (lbs.)	43	43	47	50	60
Length	17¼	17¼	18¼	18¾	19¼
Width	9⅞				
Height	8¾				
HP	½	½	¾	1	1½
"L" Max.	8½	8½	9½	10	10½



### COMPONENTS

Item No.	Description
1	Mechanical seal
2	Pressure switch
3	Casing
4	Impeller
5	Diffuser (Guidevane)
6	Diaphragm
7	Stainless steel shaft
8	Nozzle clean-out plug
9	Motor adapter
10	Motor
11	Nozzle
12	Venturi (diffuser)

