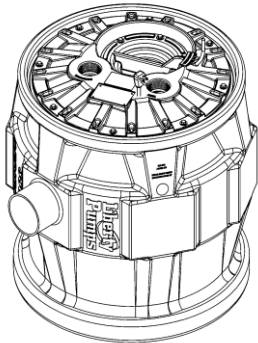


LIBERTY SEWAGE PUMPS PACKAGES (3-YEAR WARRANTY)

Sewage Pump Assembled Packages



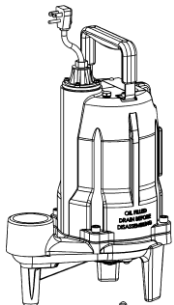
41 Gal molded tank – Pump – “QuickTree” power / float cord Access
 2" PVC Sch80 discharge pipe - 2" Solids & Discharge Size, 10' Cord
 (You will need a check valve & a gate/ball valve, Not part of per-assembled system)



P382 Basin



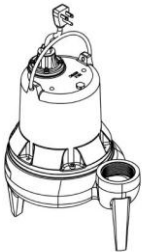
ARC-18 Riser



PRG101A



		Hp	Volts / Amps	Max.H	Average Head
P382-LE41	\$ 625.00	4/10	115v / 12a	17'	40 Gpm @ 10'
P382-LE51	688.00	1/2	115v / 12a	24'	40 Gpm @ 20'
P382-LE52	795.00	1/2	240v / 6.8a	24'	40 Gpm @ 20'
P382-LE71	1,060.00	3/4	115v / 12a	28'	40 Gpm @ 23'
P382-LE72	1,135.00	3/4	240v / 6a	28'	40 Gpm @ 23'
P382-LEH102	1,335.00	1	240v / 12a	52'	40 Gpm @ 45'



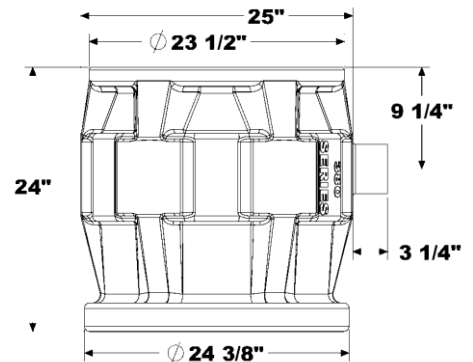
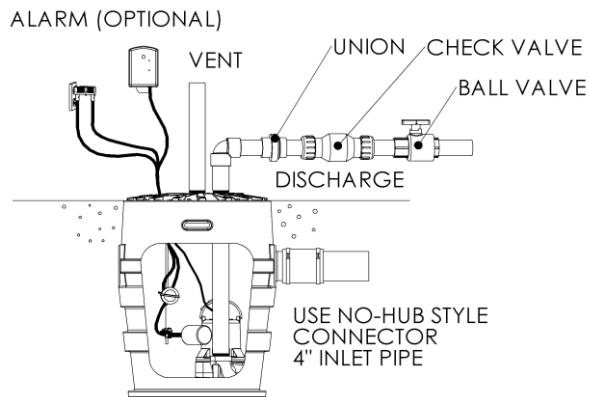
ARC18 Riser	\$ 265.00	18" Access riser and cover			
IKIT-115v Kit	435.00	2" check valve, ball valve, union, and Junction box			
IKIT-230v Kit	445.00				
101	125.00	Tank Alert High Level Alarm (Indoor)			
101XT	178.00	Tank Alert High Level Alarm (Outdoor)			

Grinder Pump With Float (No Package) 25' cord

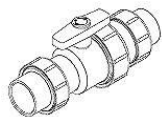
LGS202A	\$ 2,015.00	2	240v / 15a	108'	20 Gpm @ 85'
PRG101A-2	1,395.00	1	115v / 12a	45'	20 Gpm @ 35'



LGS202A



Check Valves



220C20TU(2") Union+Ball+Check Valve

\$ 63.00



Zoeller(2") 30-0151 Cast iron

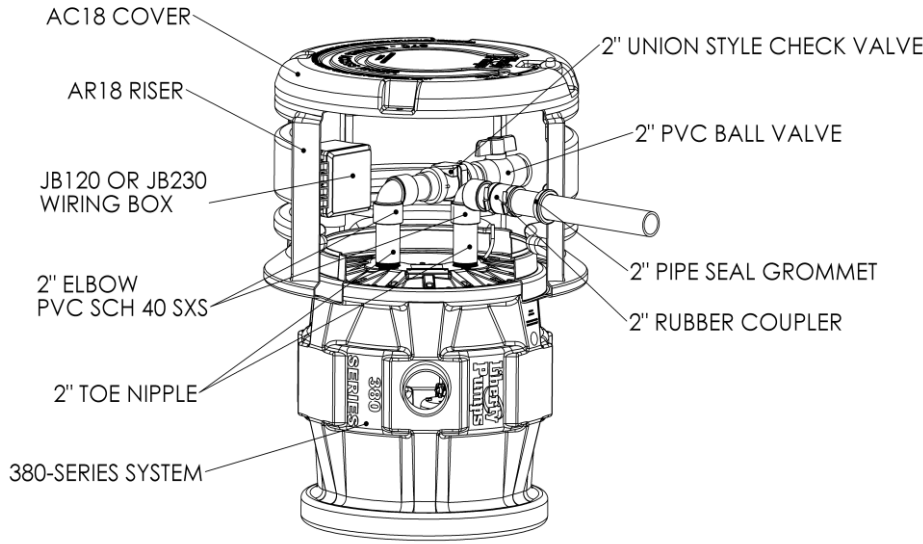
\$ 65.00



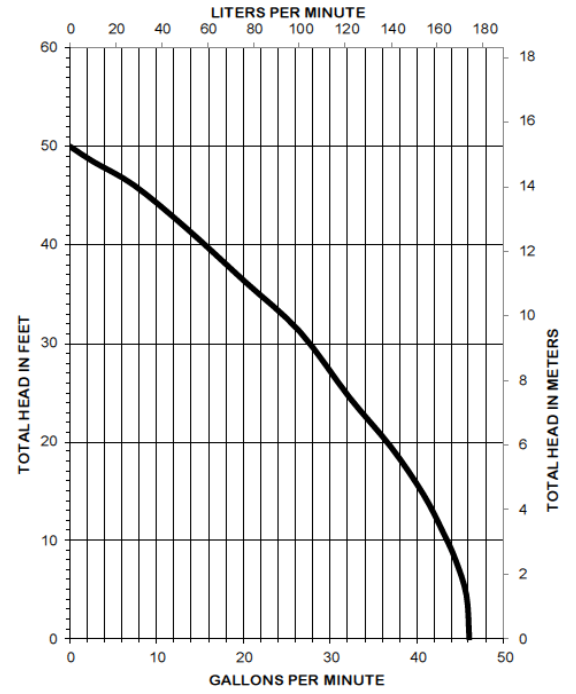
HCV200 Cast iron

\$ 93.00

LIBERTY SEWAGE PUMPS PACKAGES (3-YEAR WARRANTY)



Optional Riser & Instalation kit set up



PRG101A

