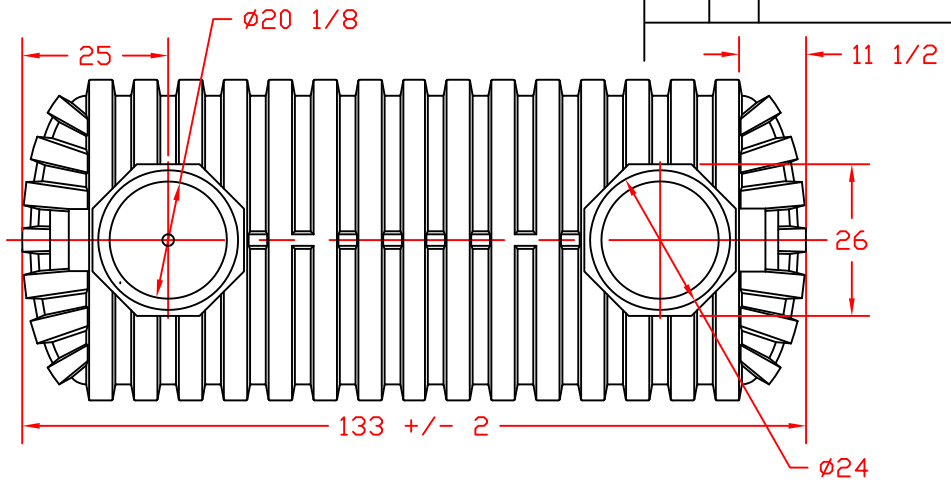
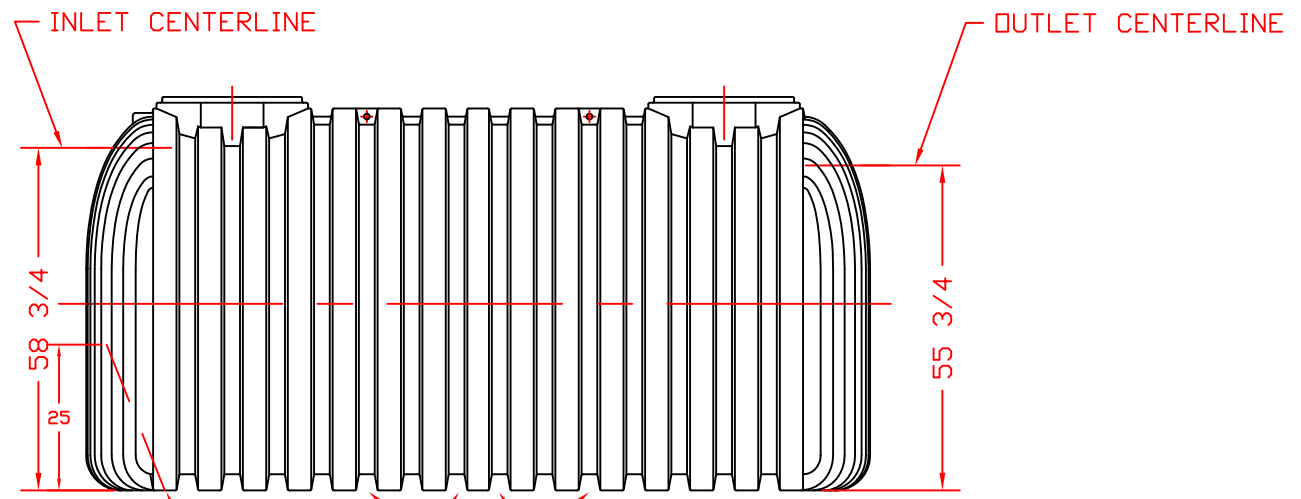
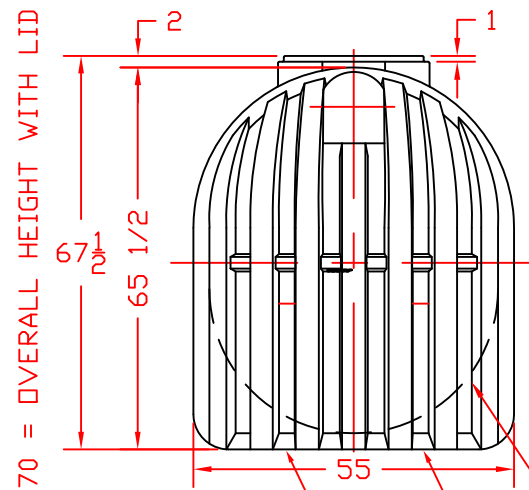


RIB DIMENSIONS
1/8 SCALE

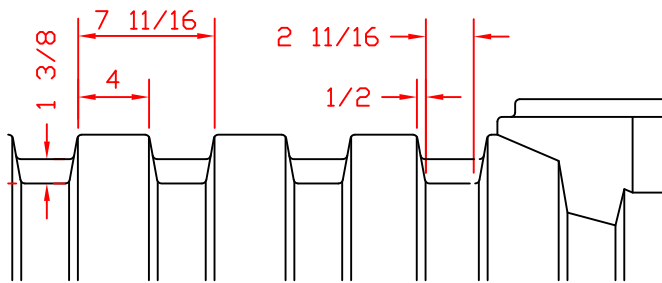


REVISIONS				
ZONE	REV	DESCRIPTION	DATE	APPROVED

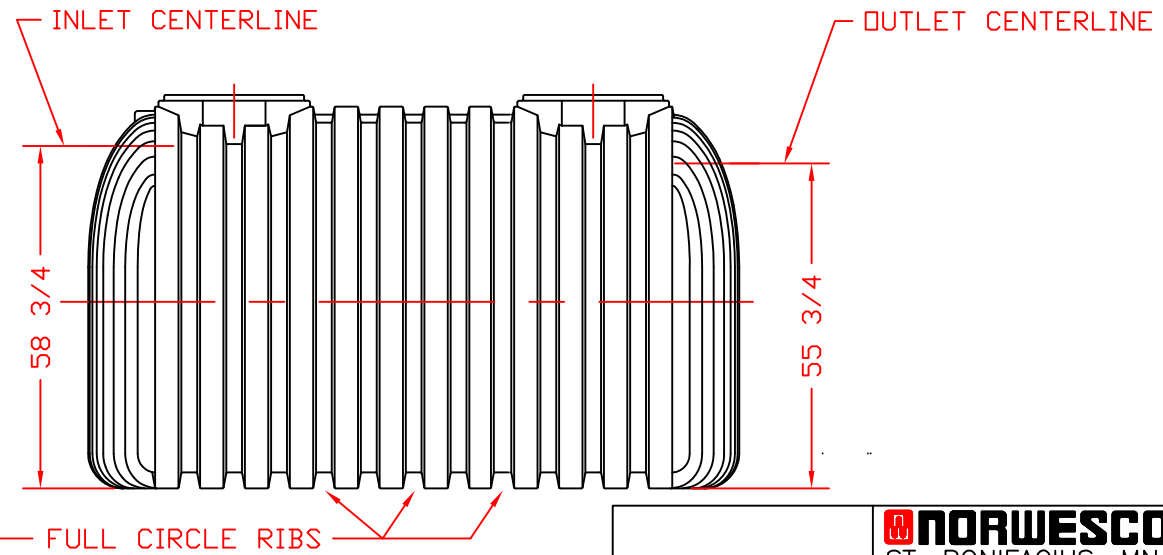
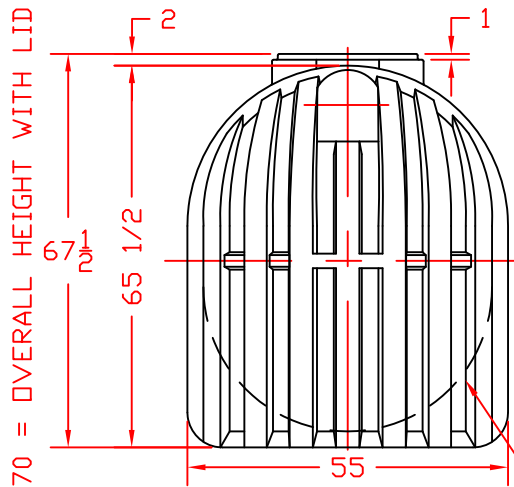
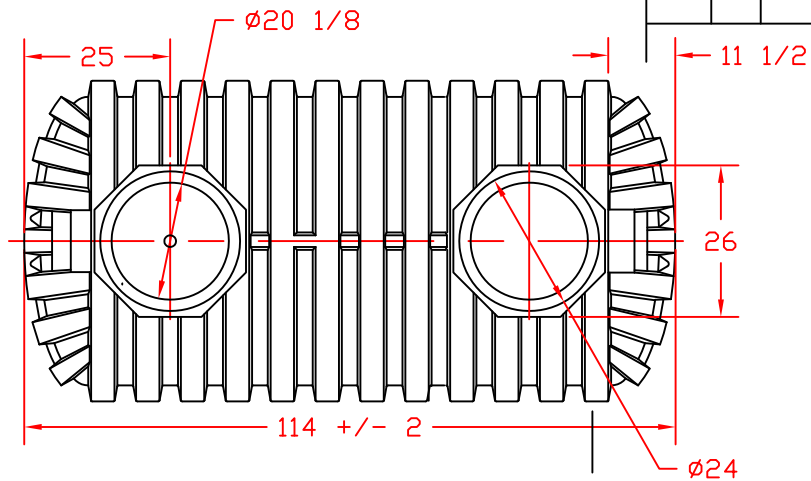


NORWESCO
ST. BONIFACIUS, MN
1500 GALLON SEPTIC TANK

JTP	18MAY00	SIZE B	FSCM NO.	DWG NO.	REV
SCALE 1/24			SHEET		



RIB DIMENSIONS
1/8 SCALE

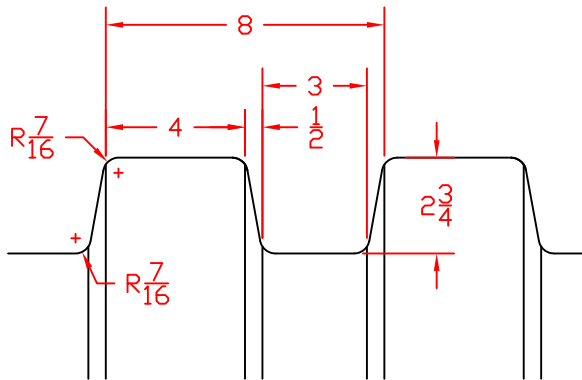


REVISIONS				
ZONE	REV	DESCRIPTION	DATE	APPROVED

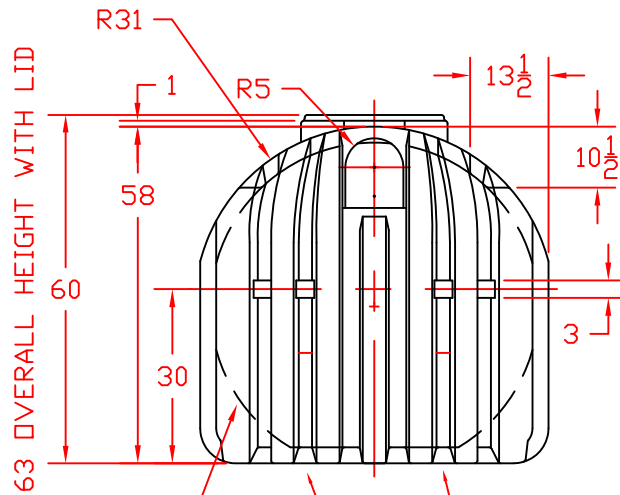
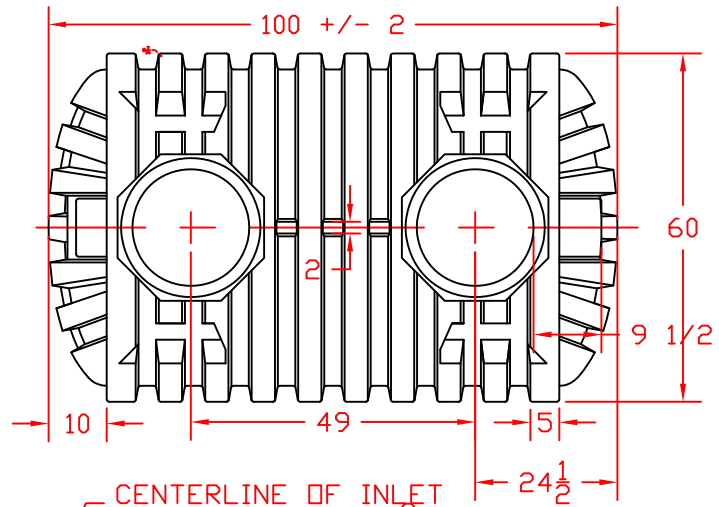
NORWESCO
ST. BONIFACIUS, MN
1250 GALLON SEPTIC TANK

JTP	30JUN00	SIZE B	FSCM NO.	DWG NO.	REV
SCALE 1/24			SHEET		

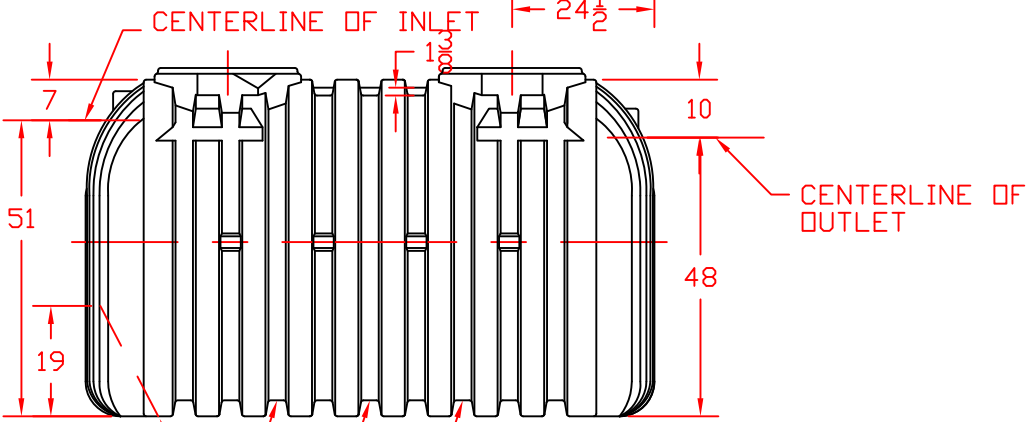
REVISIONS				
ZONE	REV	DESCRIPTION	DATE	APPROVED
	C	REDRAWN, DIMS UPDATED	17FEB97	



RIB DETAIL 1/4 SCALE



63 OVERALL HEIGHT WITH LID



THREE FULL-CIRCLE RIBS

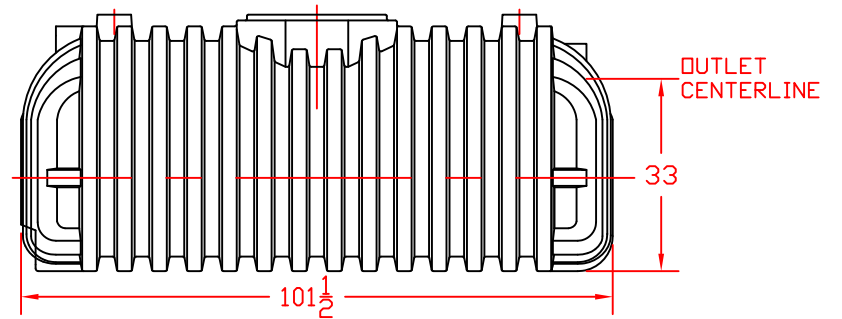
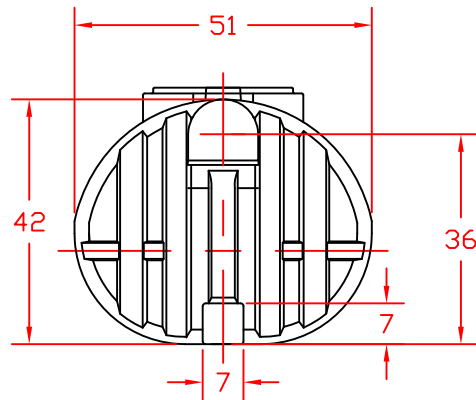
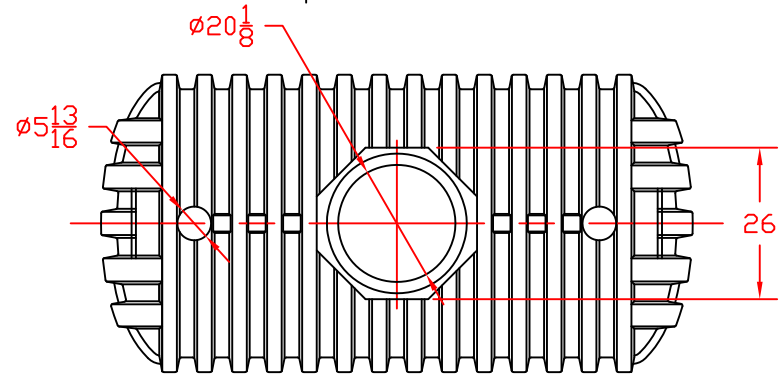
KNEE RIBS HERE

MIDPOINT OF CROSS RIB

NORWESCO
ST. BONIFACIUS, MN
1000 GALLON SEPTIC TANK

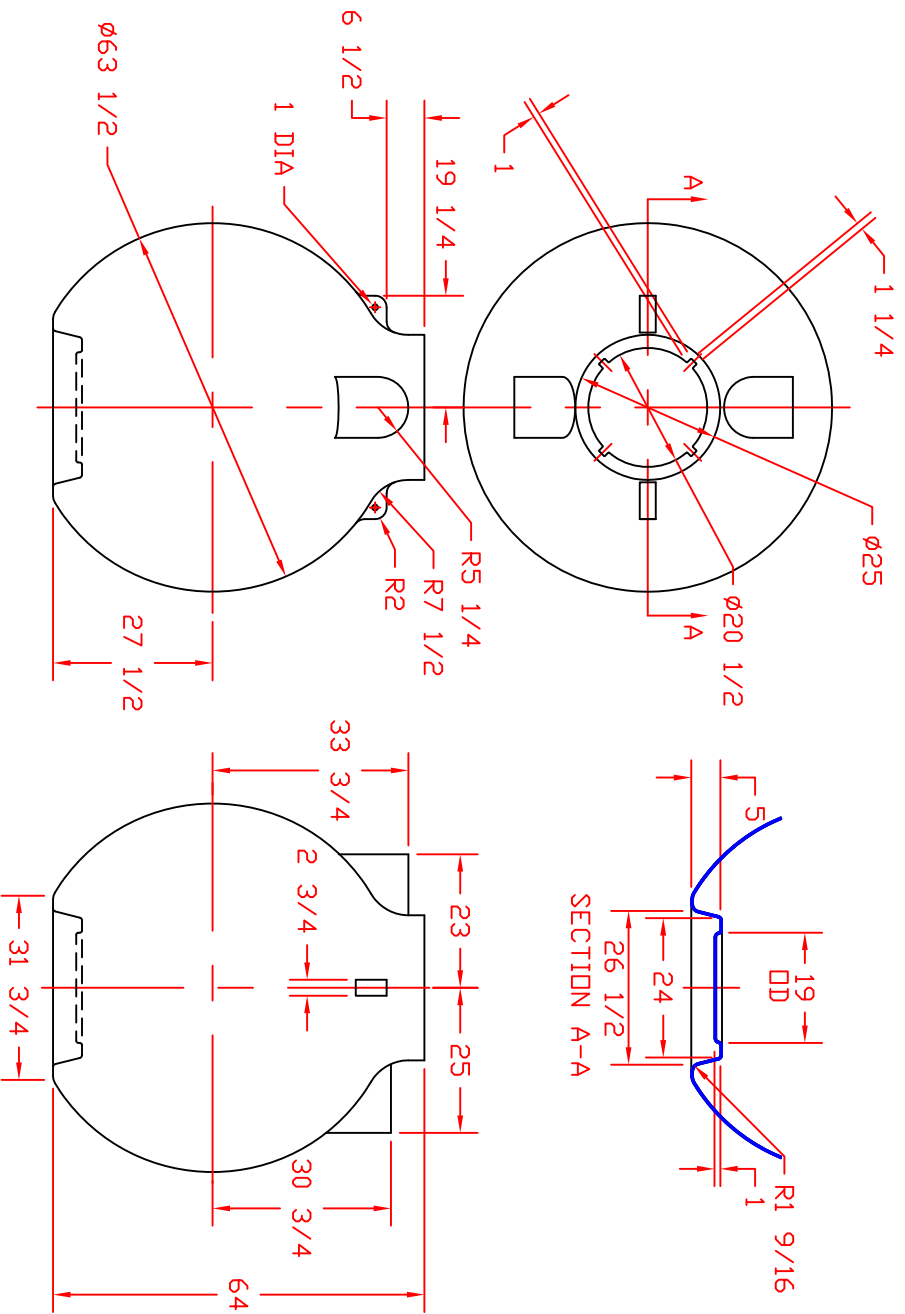
JTP 17FEB97	SIZE B	FSCM NO.	DWG NO.	REV C
SCALE 1/24			SHEET 1 OF 2	

REVISIONS				
ZONE	REV	DESCRIPTION	DATE	APPROVED
	A	REMOVED INLETE/OUTLET HUBS	17AUG10	



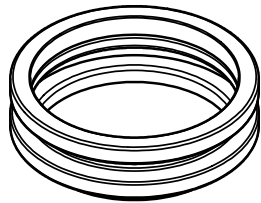
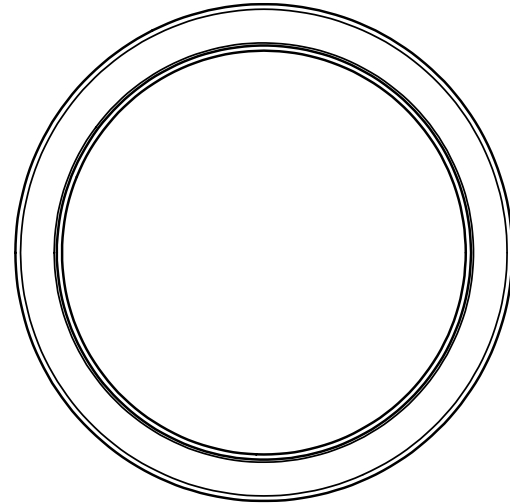
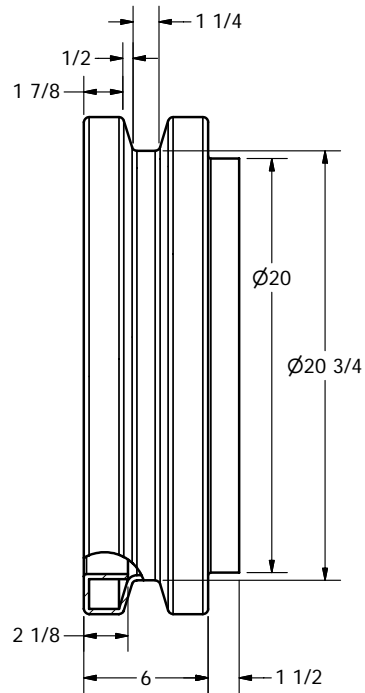
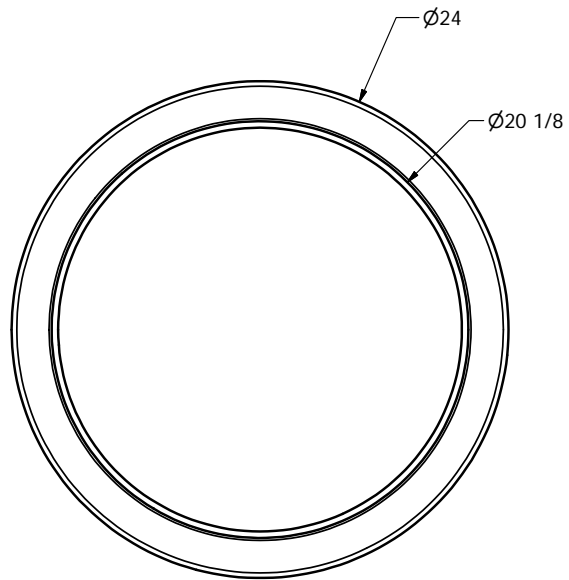
		ST. BONIFACIUS, MN 500 GALLON SEPTIC TANK			
JTP	15JUL02	SIZE B	FSCM NO.	DWG NO.	REV A
		SCALE 1/24			SHEET


REVISIONS				
ZONE	REV	DESCRIPTION	DATE	APPROVED
A	REMOVED	INLET HUB	24MAY10	



COLOR: BLACK

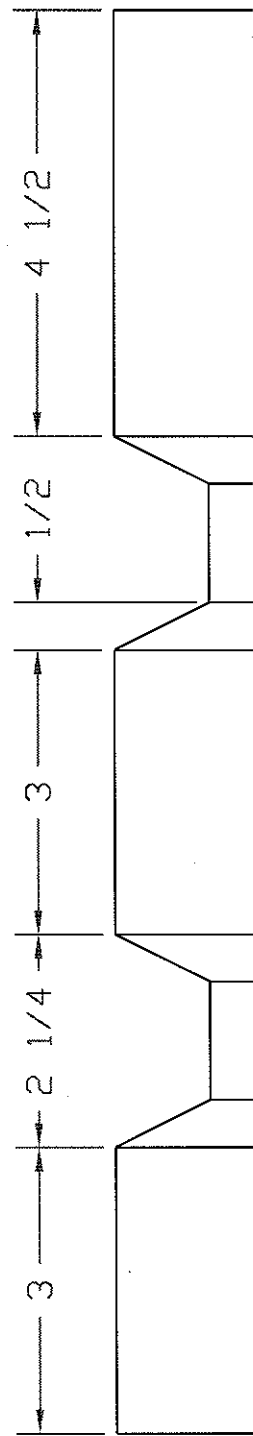
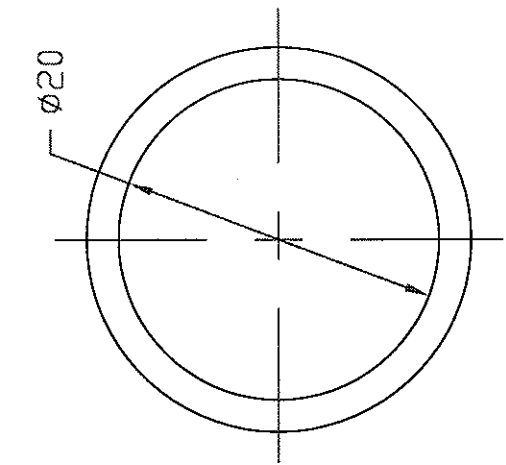
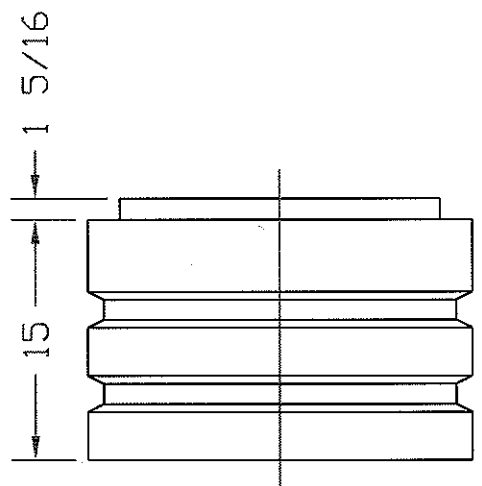
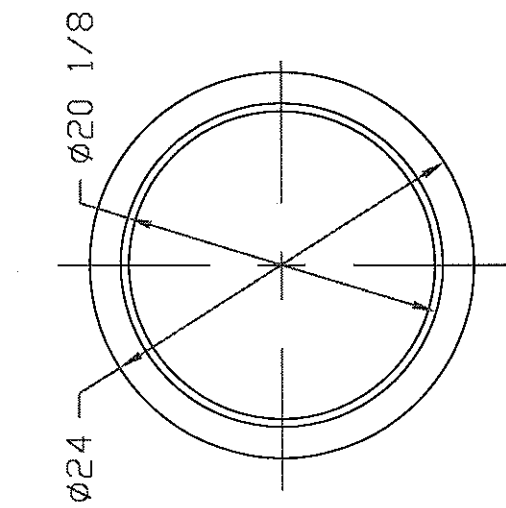
		ST. BONIFACIUS, MN 500 GALLON SPHERICAL BELOW GROUND TANK	
JTP	02DEC96	SCALE	1/24
B	SIZE	FSCM NO.	DWG NO.
A	REV	SHEET	



DRAWN Jerry Paulson	8/2/2006	 NORWESCO, INC., ST. BONIFACIUS, MN		
CHECKED				
QA		TITLE		
MFG		6 INCH MANHOLE EXTENSION		
APPROVED				
		SIZE B	DWG NO 63514	REV
		SCALE: 1/6		SHEET 1 OF 1

REVISIONS			
ZONE	REV	DESCRIPTION	DATE

--	--	--	--



RIB DIMENSIONS
1/2 SCALE

NORWESCO

ST. BONIFACIUS, MN

MANHOLE EXTENSION

15 X 20 W/O LUGS

JTP 31MAY01

SIZE A

FSCM NO.

DWG NO. 62397

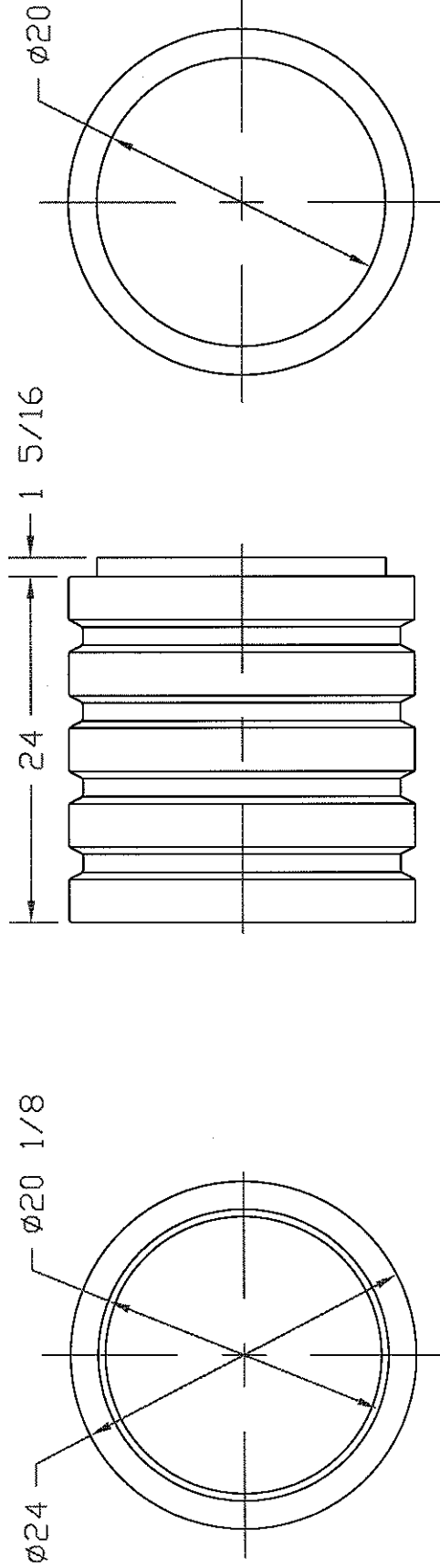
REV

SCALE 1/12

SHEET

REVISIONS

ZONE	REV	DESCRIPTION	DATE	APPROVED



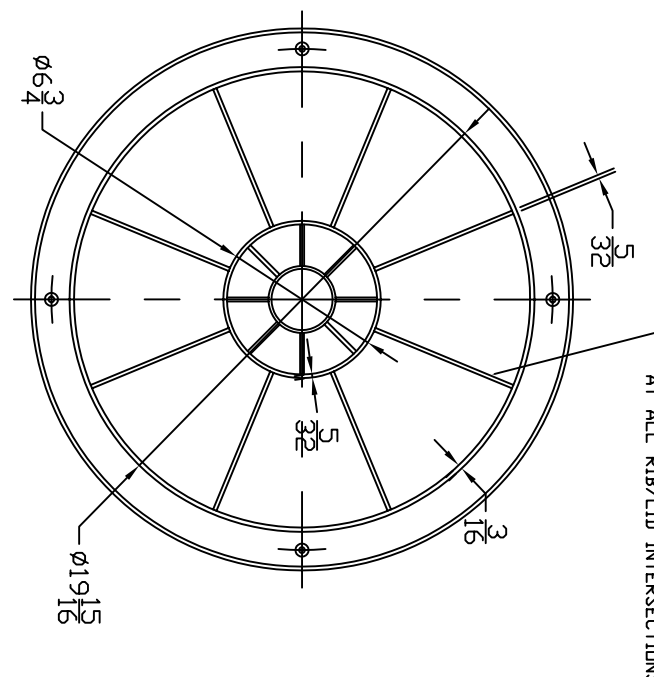
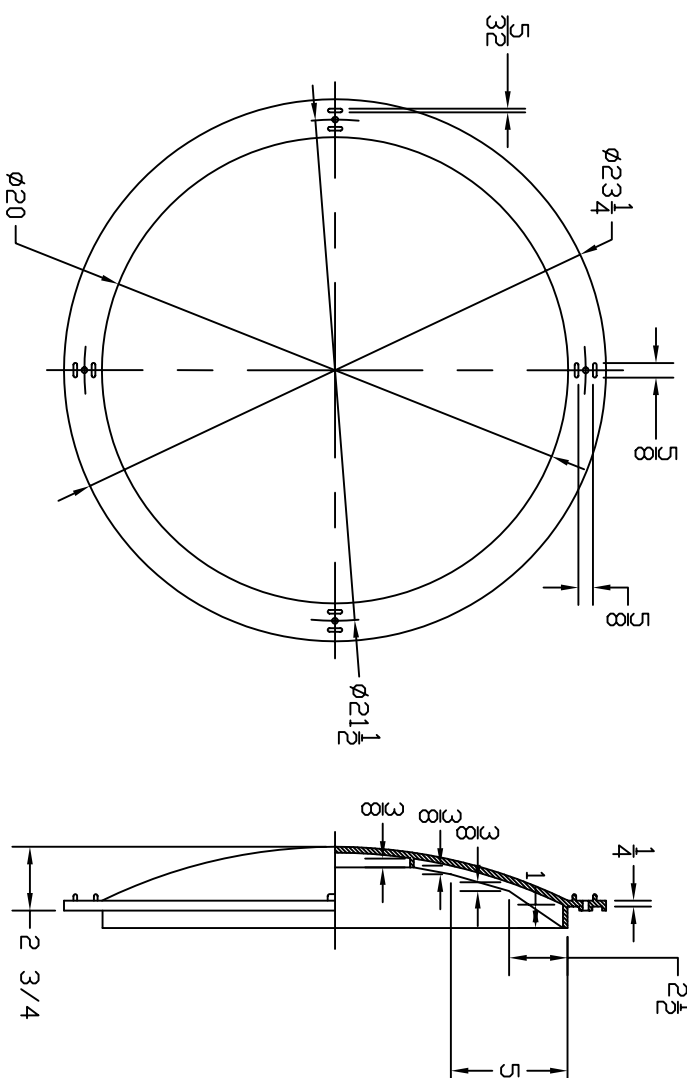
RIB DETAIL
1/2 SCALE

NORWESCO
ST. BONIFACIUS, MN

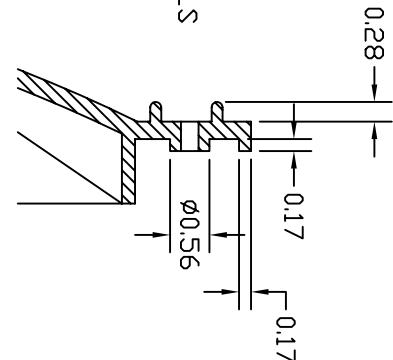
MANHOLE EXTENSION
24 X 20 W/O LUGS

JTP	31MAY01	SIZE	FSCM NO.	DWG NO.	REV
		A		62396	
SCALE 1/12				SHEET	

REVISIONS				
ZONE	REV	DESCRIPTION	DATE	APPROVED
	A	ADDED OD RIB, BOSSES, & RADIUS NOTE		



RIB & BOSS DETAILS
1/2 SCALE

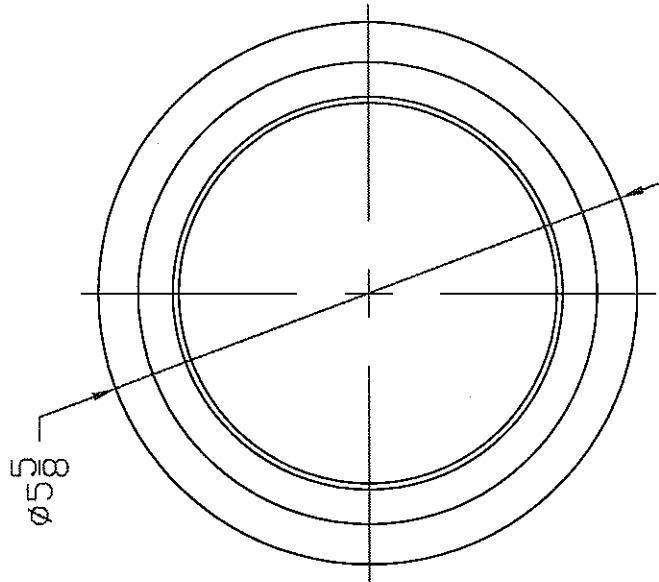
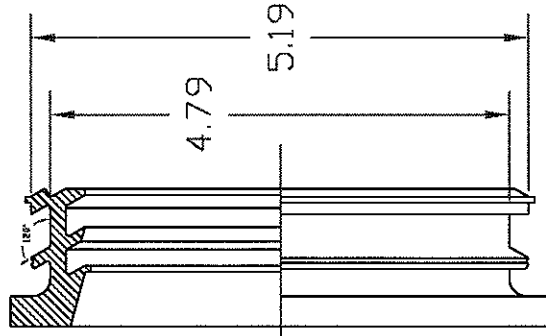
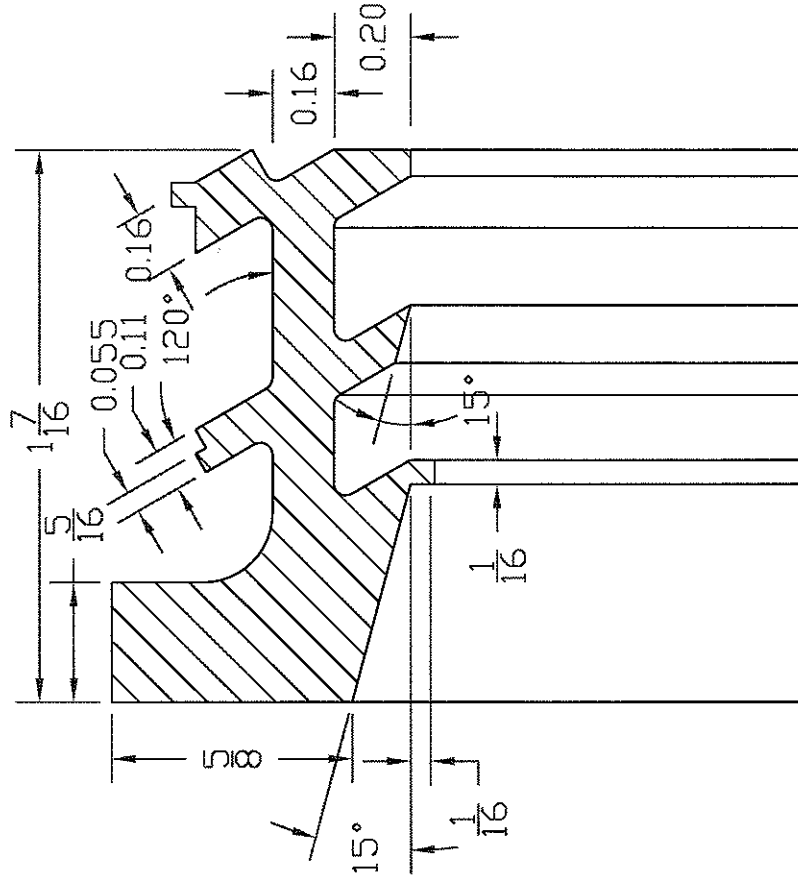


MAT'L: HIGH DENSITY POLYETHYLENE

		ST. BONIFACIUS, MN		DOMED LID	
		JTP 17APR01		SIZE / FSCM NO. B	DWG NO. 62408
SCALE 1/8		SHEET			

REVISIONS

ZONE	REV	DESCRIPTION	DATE	APPROVED



COMPONENT OF 61762 & 61763 TEE
& GASKET KITS

NORWESCO
ST. BONIFACIUS, MN
SEPTIC GASKET

JTP	27JAN03	SIZE	FSCM NO.	DWG NO.	REV
		A		60352	
		SCALE	1/2		SHEET