
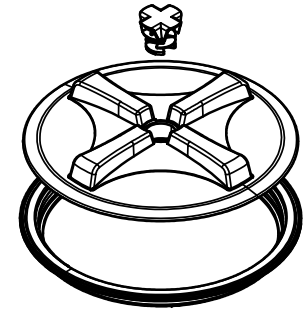
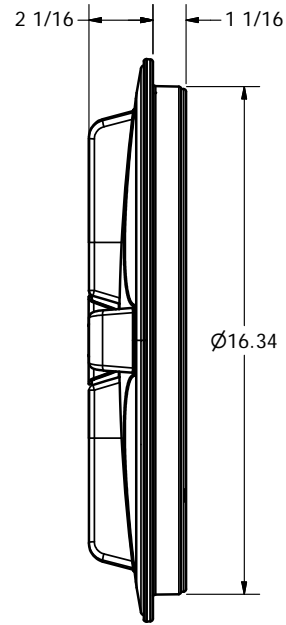
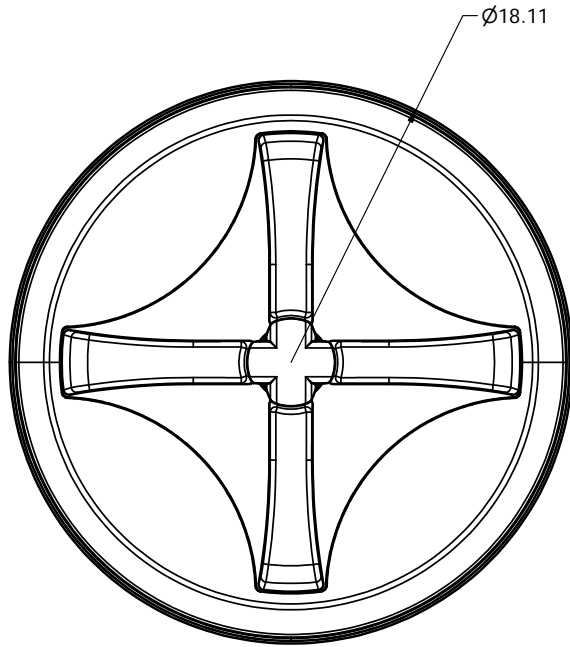

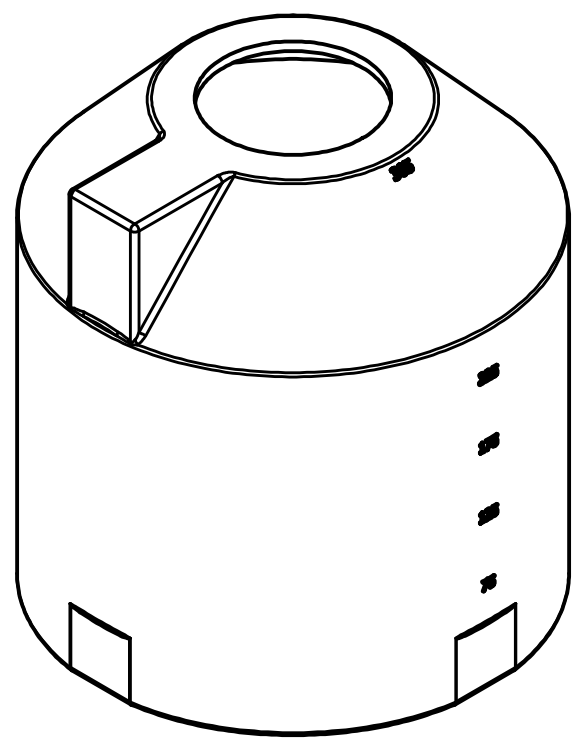
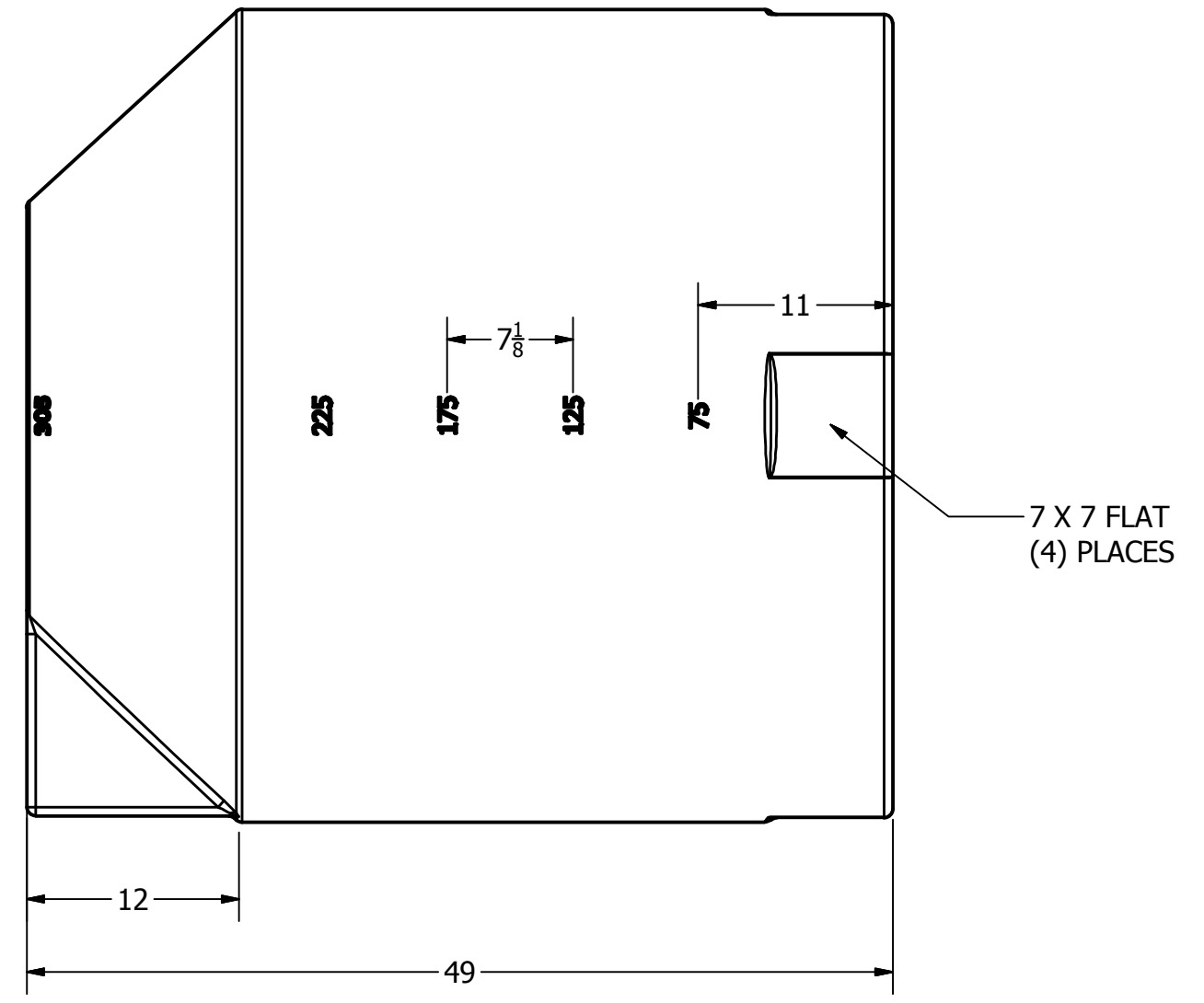
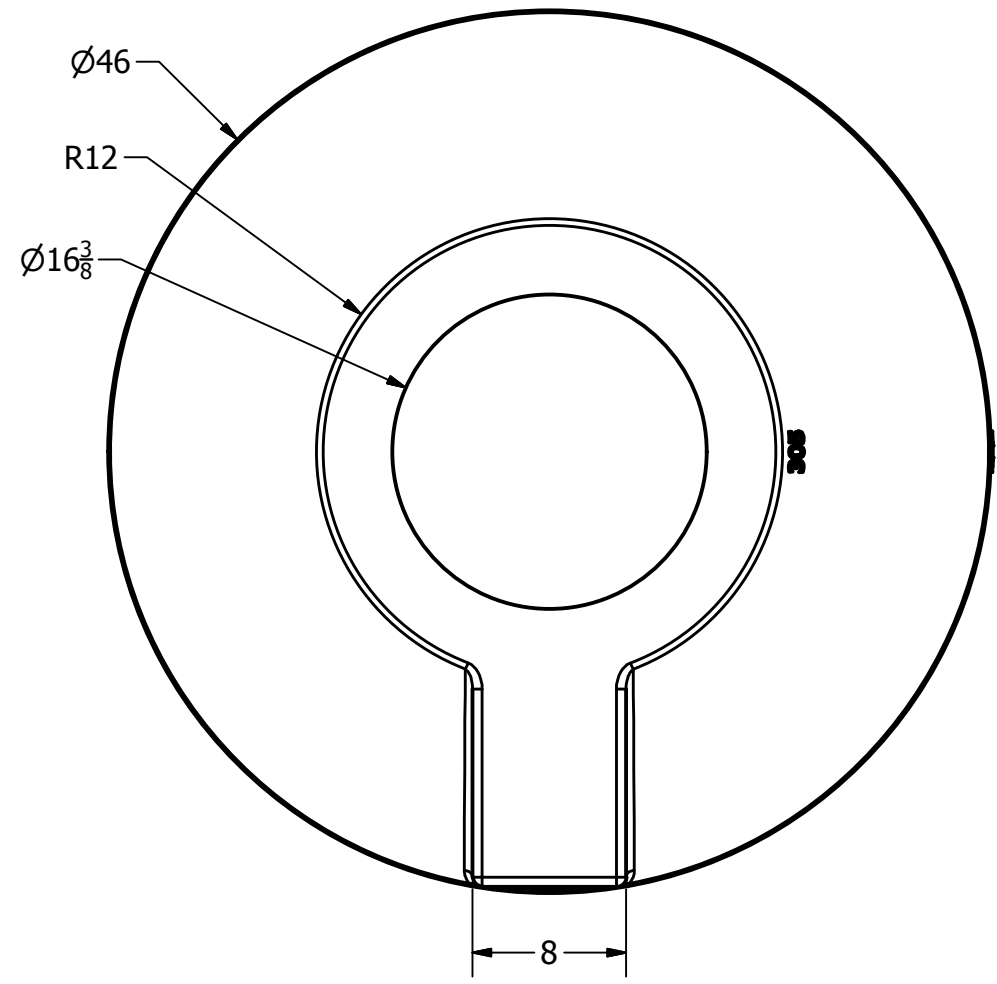



SECTION A-A
SCALE 1:6

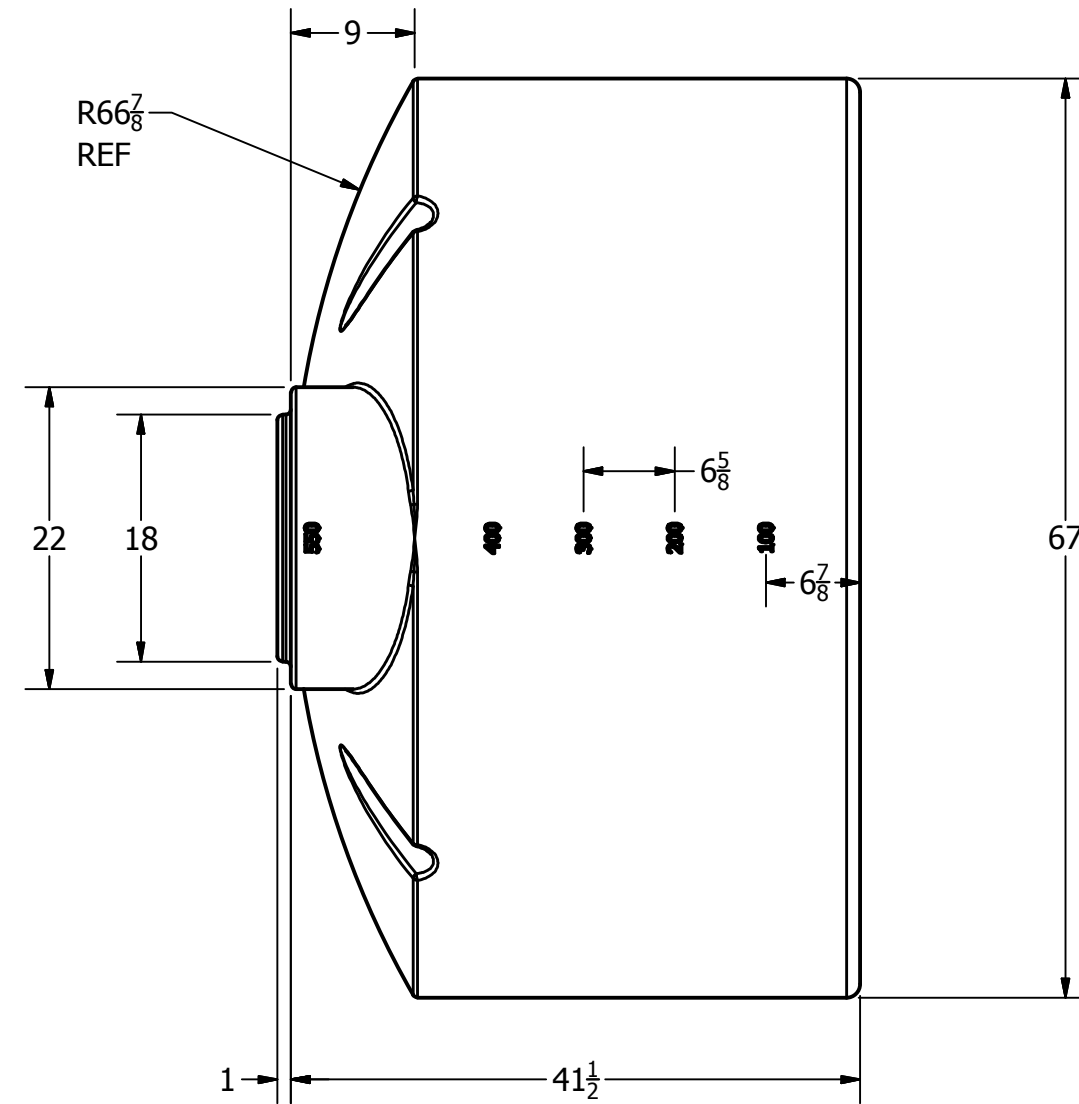
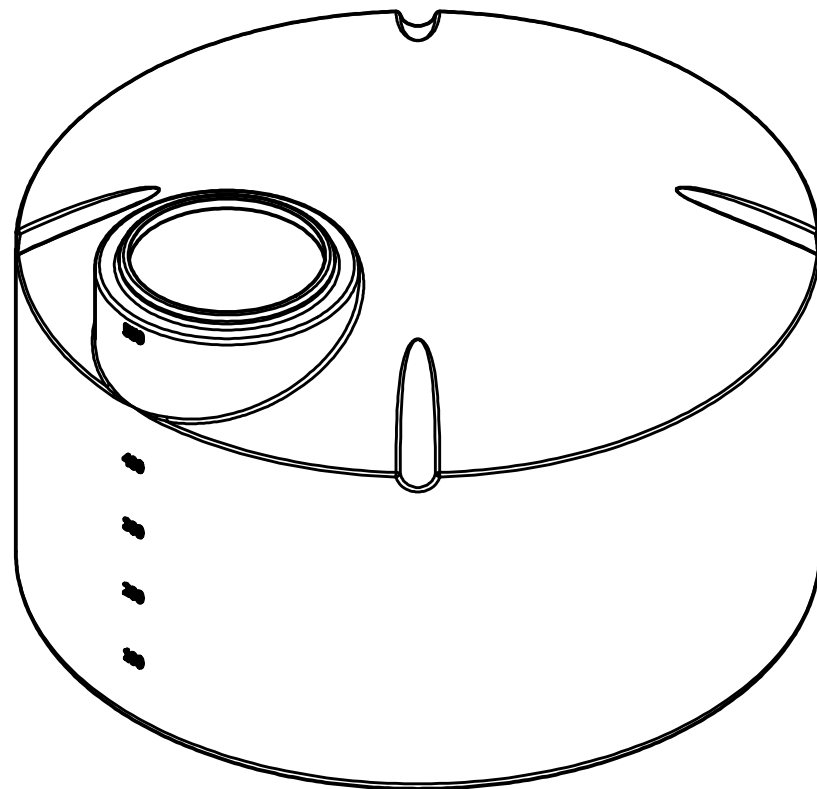
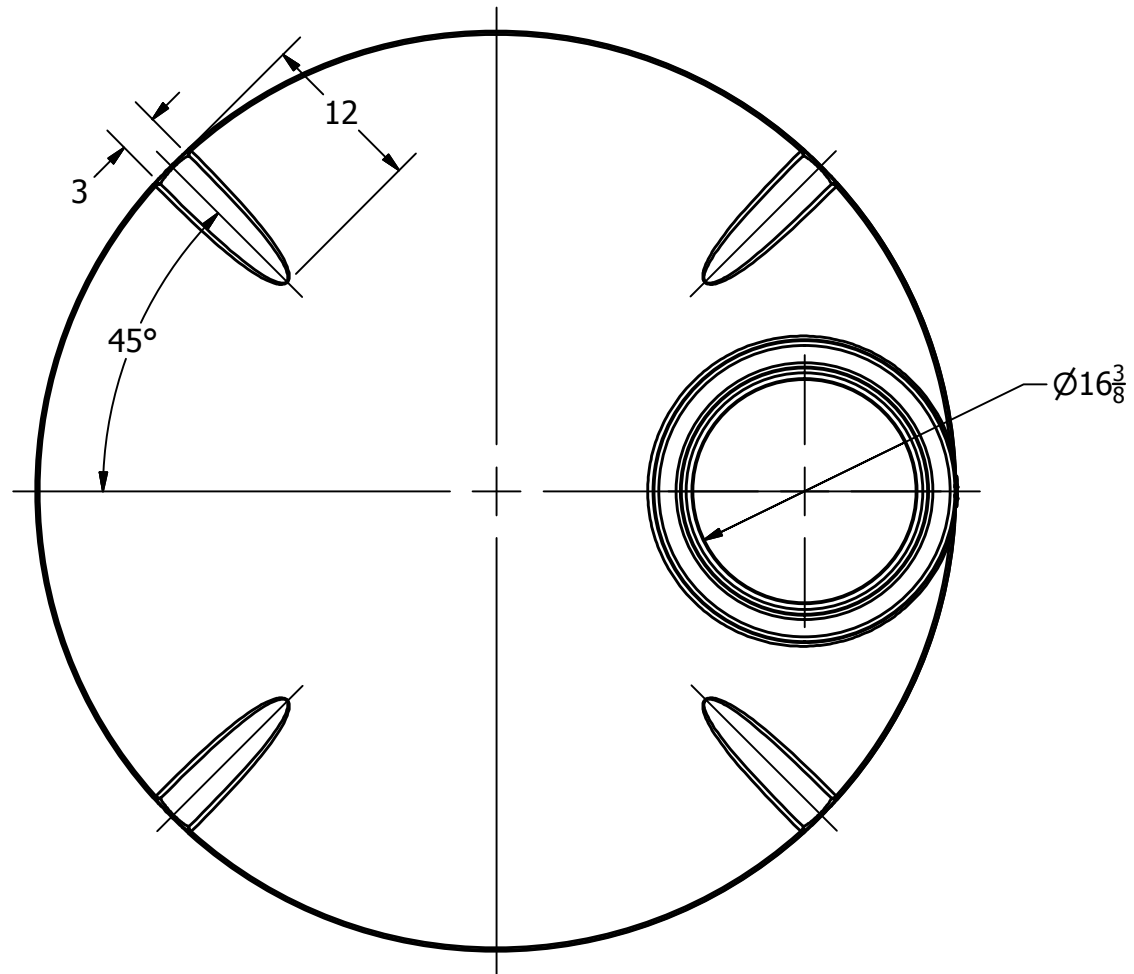
REVISION HISTORY			
REV	DESCRIPTION	DATE	AUTHOR
A	REDRAWN	8/14/1997	
B	REDRAWN	7/16/2013	Michael Holden
DRAWN	Jerry Paulson	8/14/1997	 NORWESCO, INC. SAINT BONIFACIUS, MN TITLE 5000 GALLON VERTICAL STORAGE TANK
CHECKED			
QA			
MFG			
APPROVED			
	SIZE	DWG NO	REV
	B		B
	SCALE: 1/16		SHEET 1 OF 1




DRAWN Jerry Paulson	10/13/2006		
CHECKED		NORWESCO, INC., ST. BONIFACIUS, MN	
QA		TITLE	
MFG		16 INCH LID WITH VENT AND RING	
APPROVED		SIZE	DWG NO
		B	63485
		SCALE: 1/4	REV
			SHEET 1 OF 1

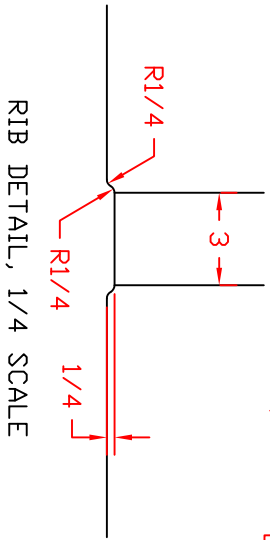
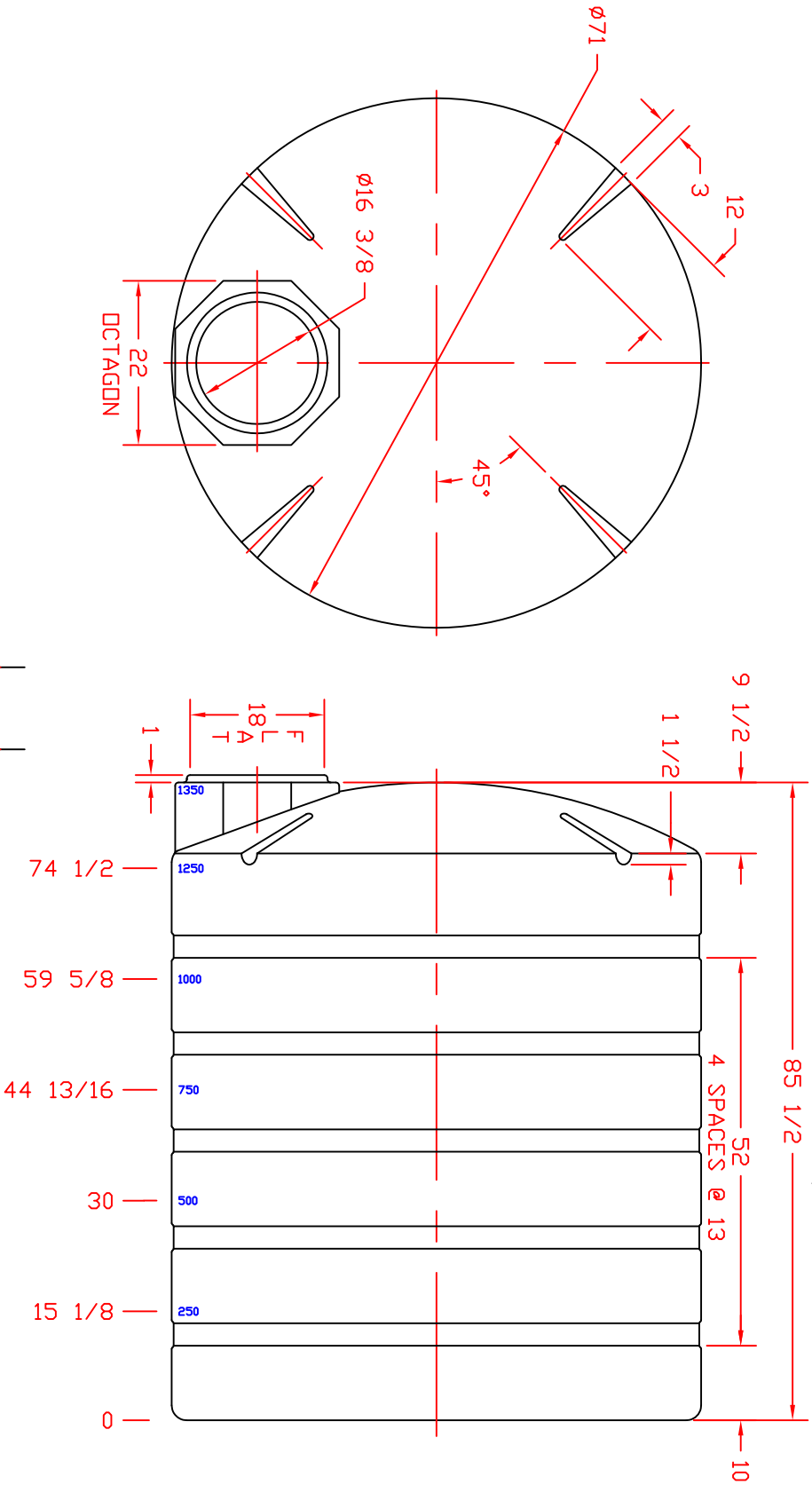


REVISION HISTORY				
REV	DESCRIPTION	DATE	AUTHOR	
A	REDRAWN	2/16/1997		
B	REDRAWN	7/3/2013	Michael Holden	
DRAWN Jerry Paulson		2/16/1997	 NORWESCO, INC. SAINT BONIFACIUS, MN TITLE 305 GALLON VERTICAL TANK	
CHECKED				
QA				
MFG				
APPROVED				
		SIZE B	DWG NO	REV B
		SCALE: 1/16	SHEET 1 OF 1	



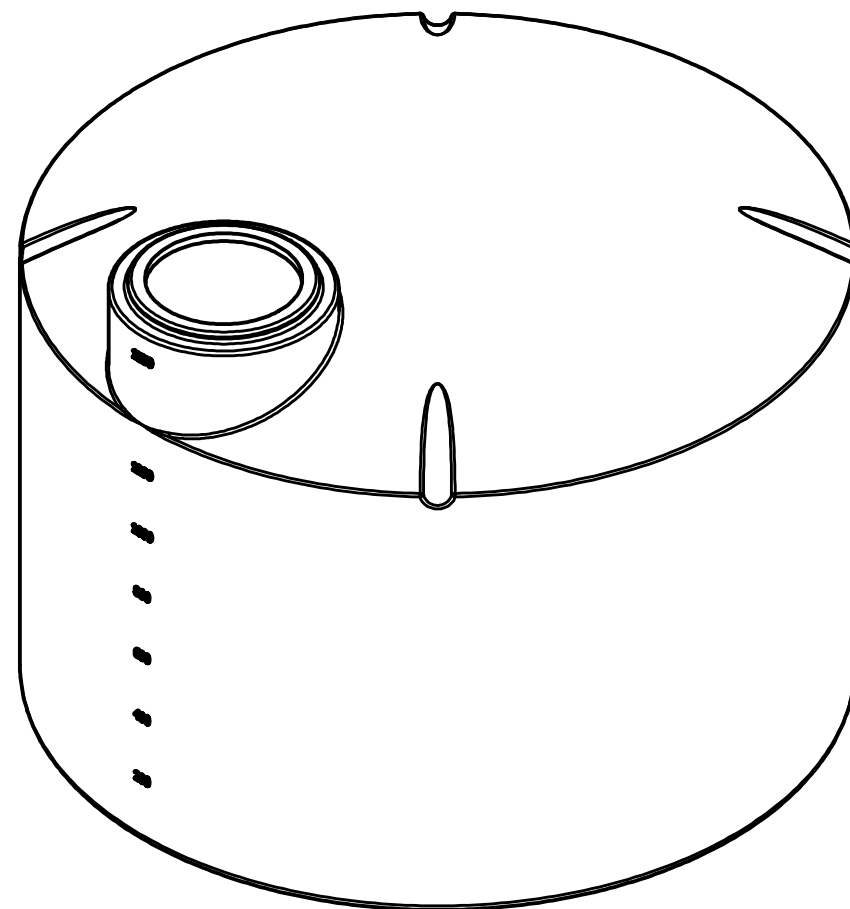
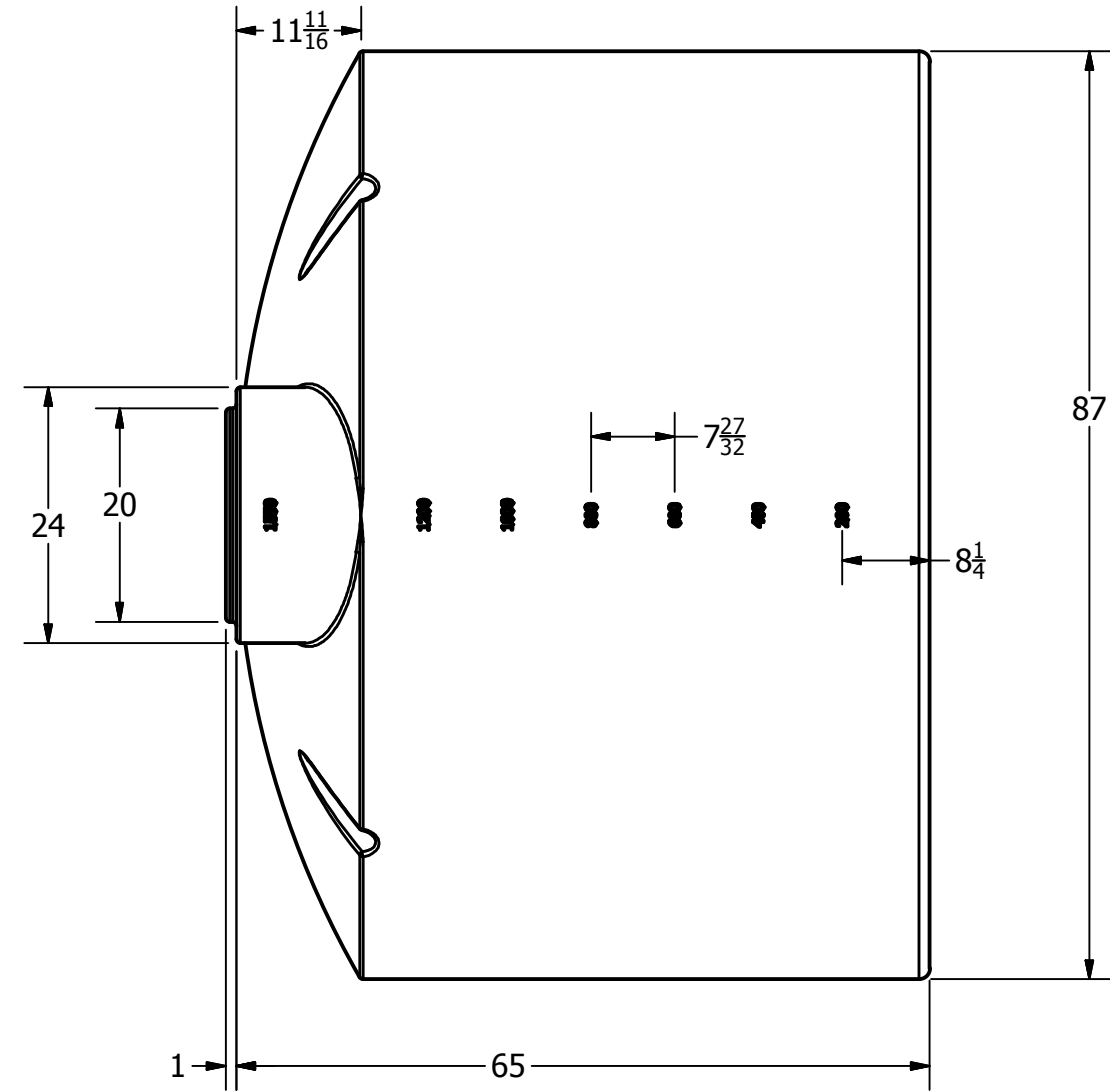
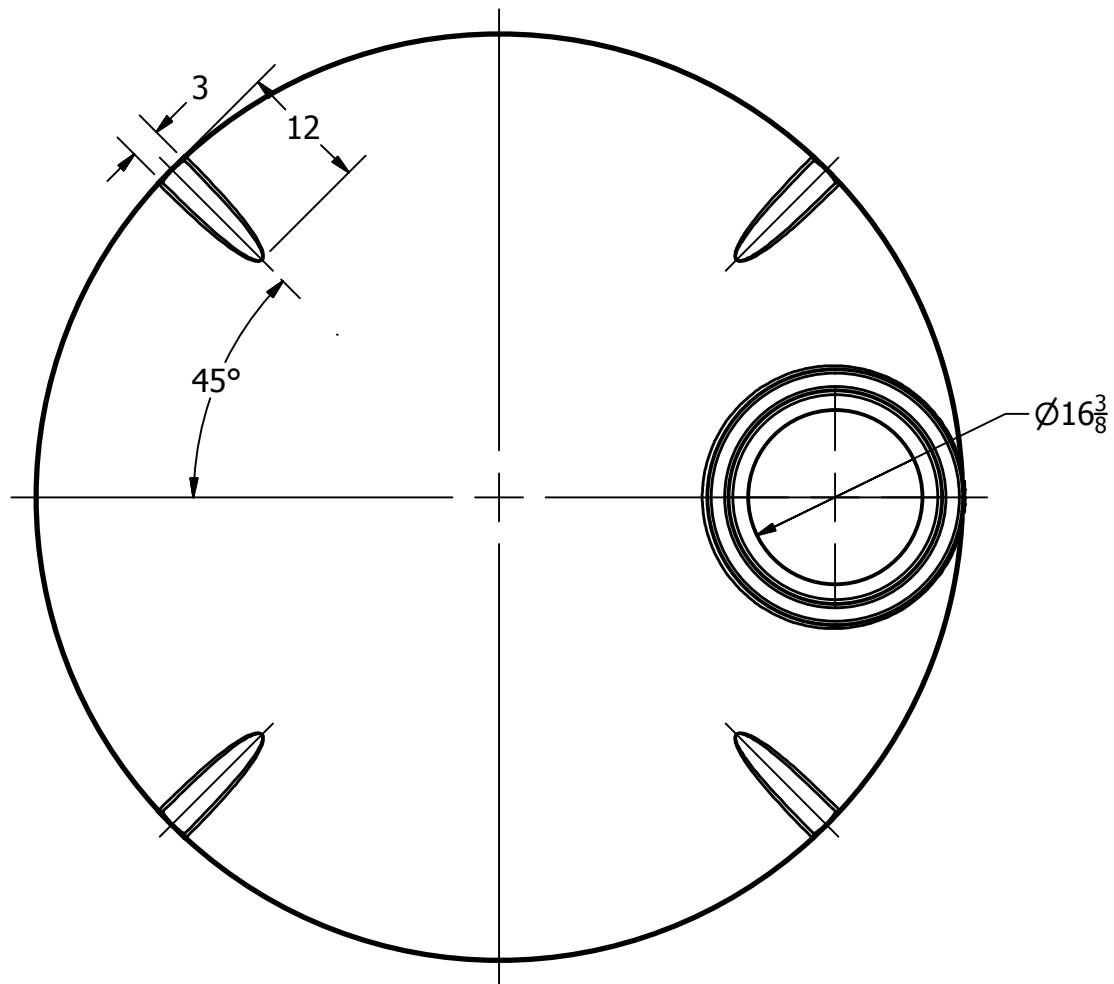
REVISION HISTORY				
REV	DESCRIPTION	DATE	AUTHOR	
A	REDRAWN	1/2/1997		
B	REDRAWN	7/3/2013	Michael Holden	
DRAWN Jerry Paulson		1/2/1997	 NORWESCO, INC. SAINT BONIFACIUS, MN TITLE 550 GALLON VERTICAL TANK	
CHECKED				
QA				
MFG				
APPROVED				
		SIZE B	DWG NO	REV B
		SCALE: 1/16	SHEET 1 OF 1	


REVISIONS			DATE	APPROVED
ZONE	REV	DESCRIPTION	DATE	APPROVED
	A	W/AS 46019	19DCT98	
	B	W/AS DWG ND 40860	15DCT03	

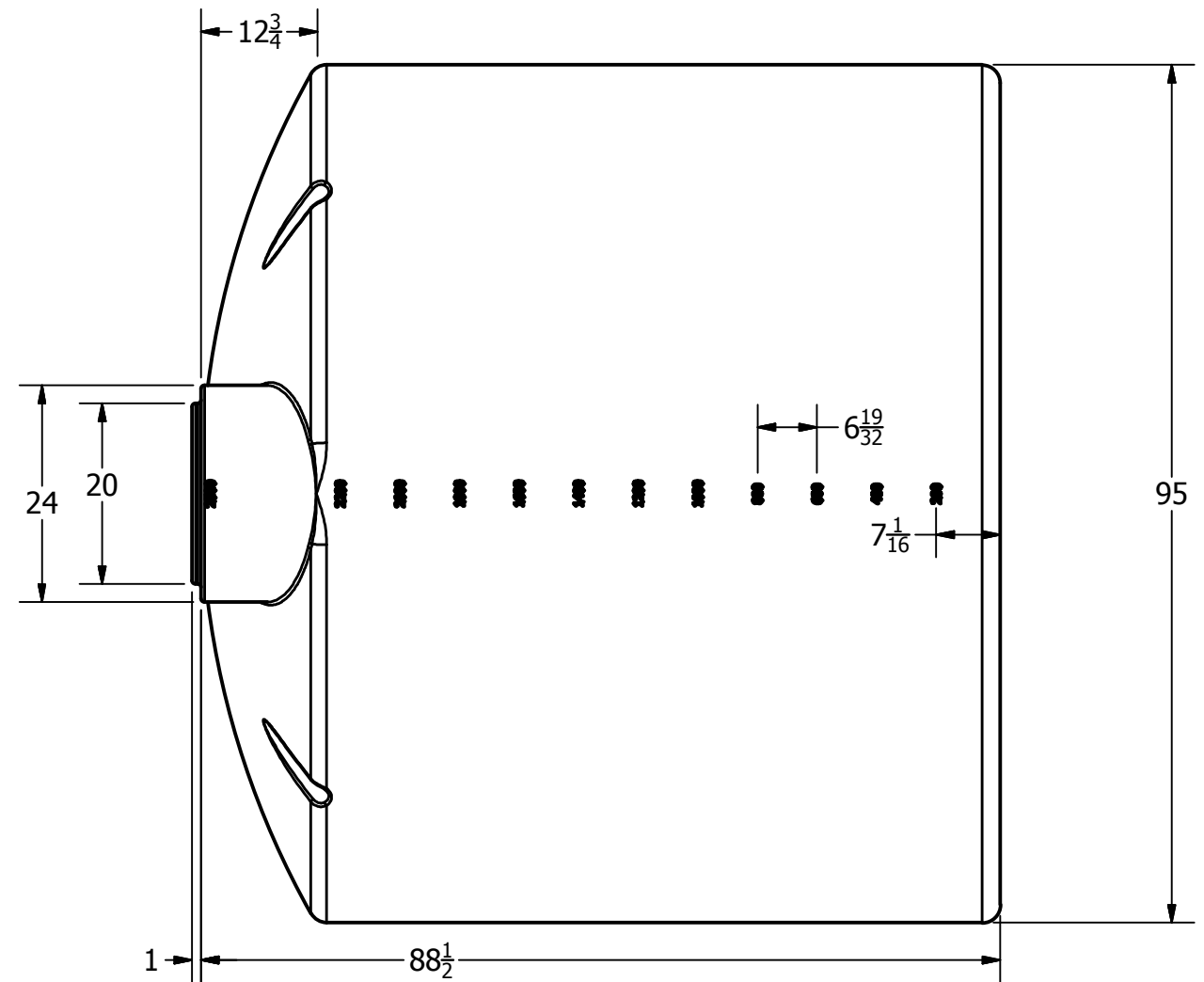
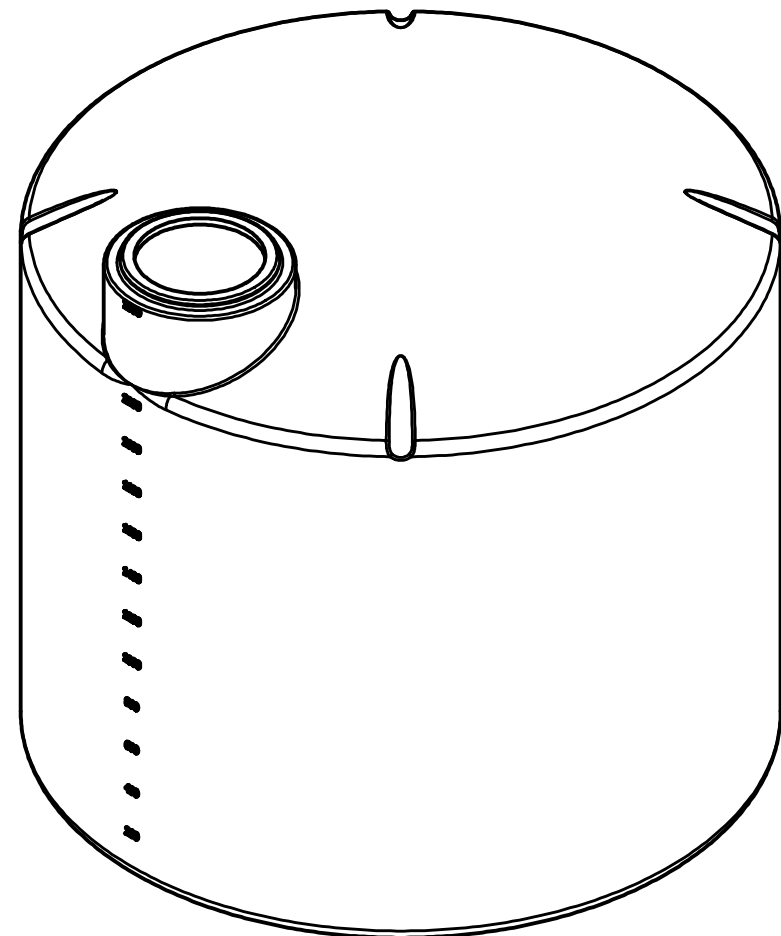
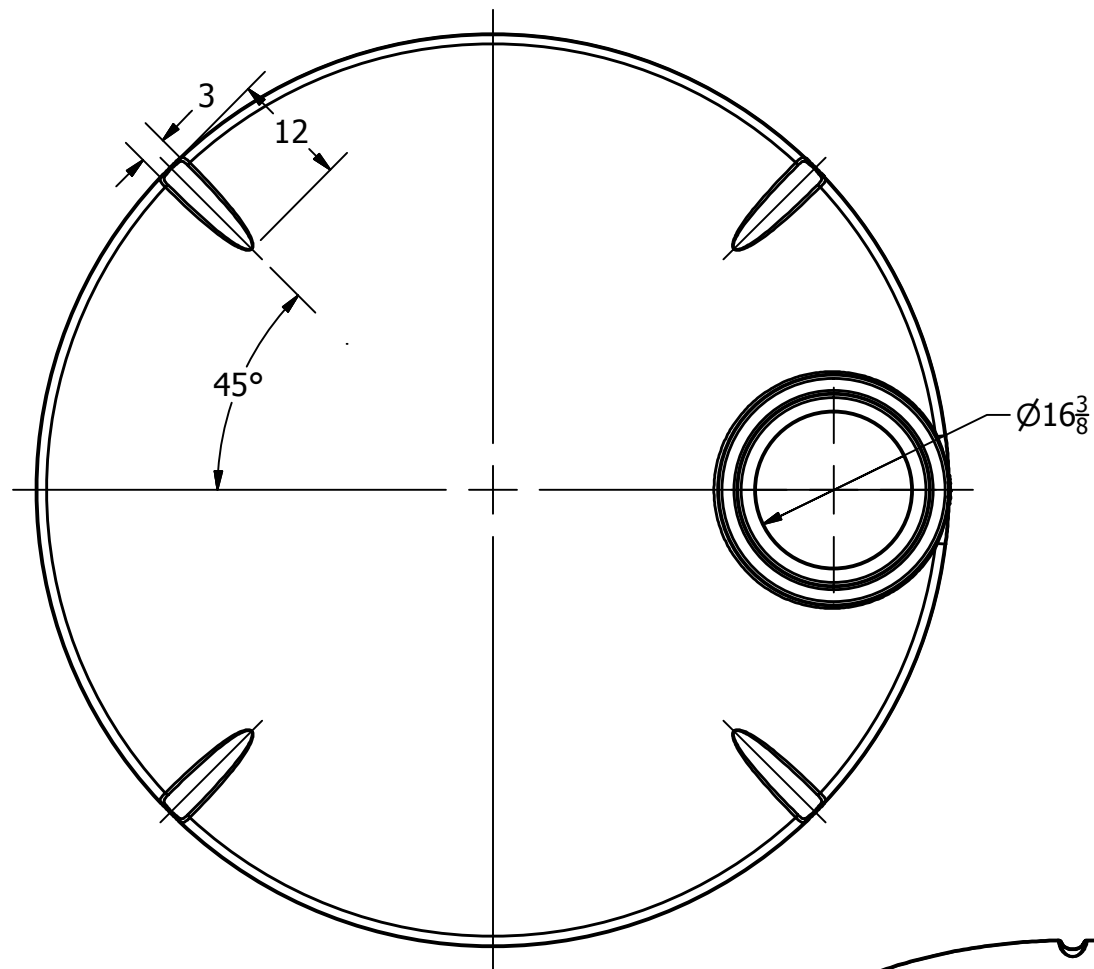



RIB DETAIL, 1/4 SCALE

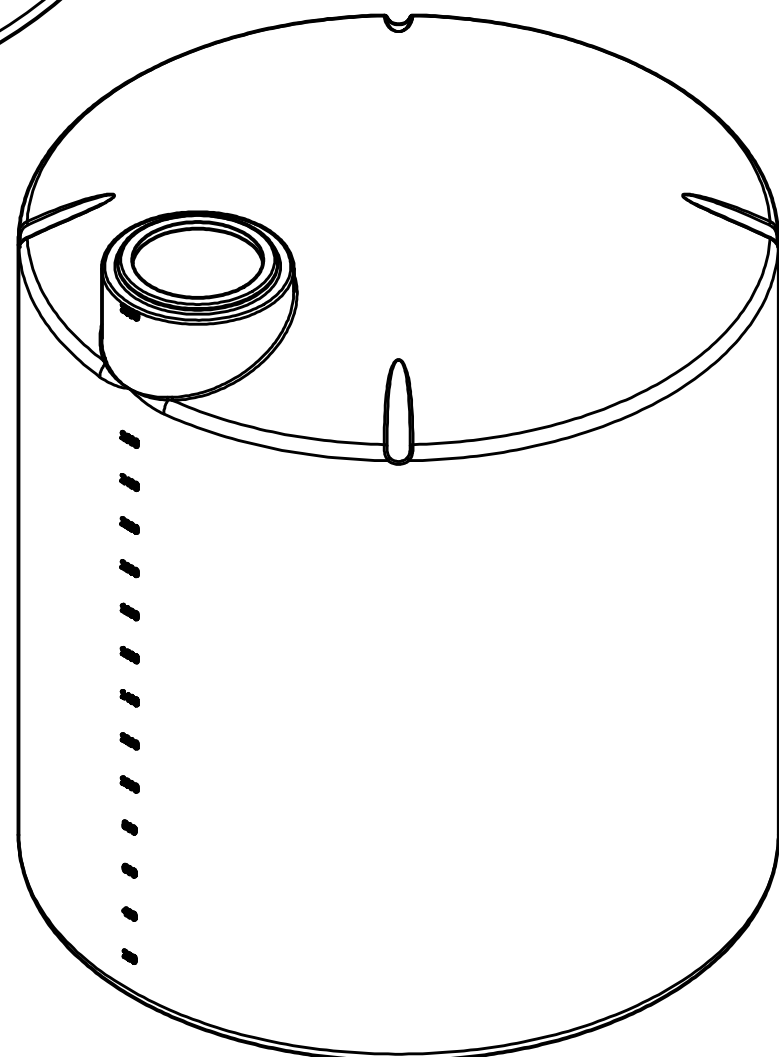
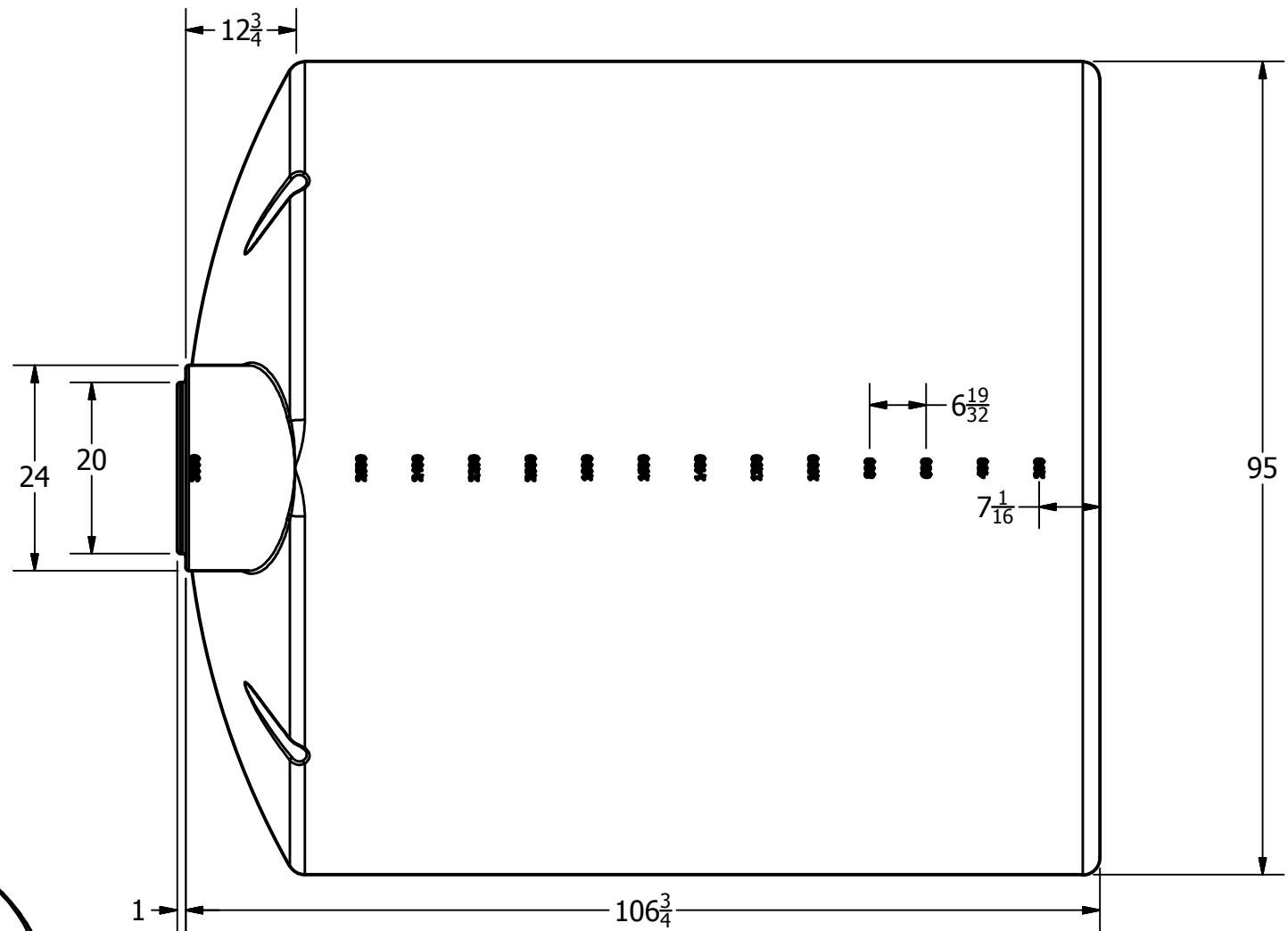
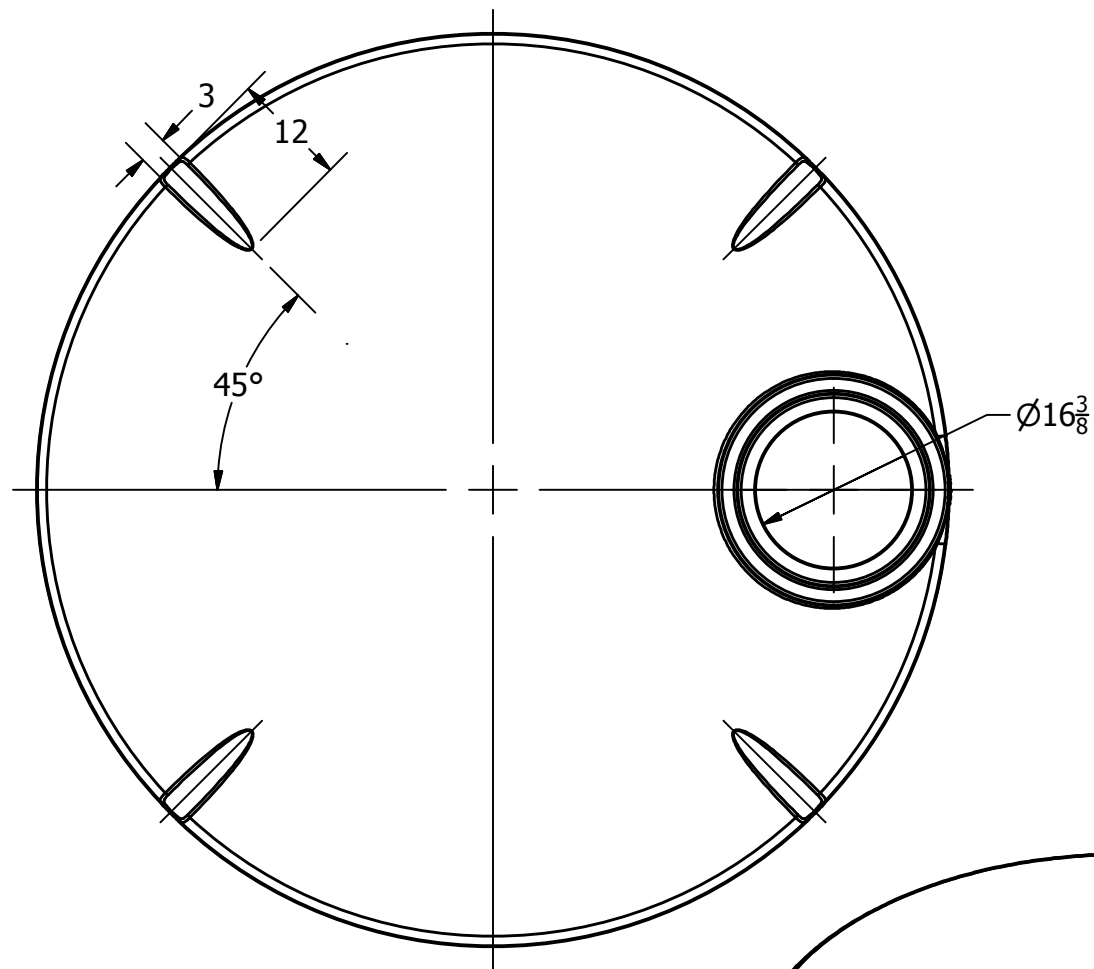
NORWESCO		ST. BONIFACIUS, MN	
1350 GALLON		VERTICAL TANK	
JTP	17JAN96	SIZE	FSOM NO.
B	SCALE 1/16	DWG NO.	REV
			B
			B




REVISION HISTORY				
REV	DESCRIPTION	DATE	AUTHOR	
A	REDRAWN	1/2/1997		
B	REDRAWN	7/9/2013	Michael Holden	
DRAWN Jerry Paulson		1/2/1997	 NORWESCO, INC. SAINT BONIFACIUS, MN TITLE 1550 GALLON VERTICAL TANK	
CHECKED				
QA				
MFG				
APPROVED				
		SIZE B	DWG NO	REV B
		SCALE: 1/16	SHEET 1 OF 1	



REVISION HISTORY				
REV	DESCRIPTION	DATE	AUTHOR	
C	REDRAWN	5/1/1996		
D	REDRAWN	7/16/2013	Michael Holden	
DRAWN Jerry Paulson		5/1/1996	 NORWESCO, INC. SAINT BONIFACIUS, MN TITLE 2500 GALLON VERTICAL STORAGE TANK	
CHECKED				
QA				
MFG				
APPROVED				
		SIZE B	DWG NO	REV D
		SCALE: 1/16	SHEET 1 OF 1	



REVISION HISTORY				
REV	DESCRIPTION	DATE	AUTHOR	
C	REDRAWN	5/1/1996		
D	REDRAWN	7/16/2013	Michael Holden	
DRAWN Jerry Paulson		5/1/1996	 NORWESCO, INC. SAINT BONIFACIUS, MN TITLE 3000 GALLON VERTICAL STORAGE TANK	
CHECKED				
QA				
MFG				
APPROVED				
		SIZE B	DWG NO	REV D
		SCALE: 1/16	SHEET 1 OF 1	