

Premium Convertible Jet Pump



Pro Series

Our most powerful jet pump. Available in 1/2, 3/4, or 1 HP models. The Pro Series Jet is equipped with a forged bronze impeller, and delivers up to 23 gallons per minute from a shallow well and 20 gallons per minute from deep well installations.

Features:

- Heavy-duty cast iron case and bronze impeller ensure optimum durability.
- Thermoplastic diffuser is molded for efficiency and dependability.
- Screw-in injector for easy conversion from shallow to deep well installation.
- Shaft coupling designed for easy removal of pump motor.
- Mechanical shaft seal ensures leakproof fit and continuous water lubrication.
- High service factor 56C-frame motor for maximum performance.
- Hardware kit allows for versatility of installation and includes pressure gauge, plugs, shallow well injector, and bypass plug.
- Adjustable pressure switch is factory-installed at 30/50 PSI.
- Connections:
 - 1.25" FNPT Suction
 - 1" FNPT Discharge
 - 1" FNPT Drive Line
- Maximum temperature of 140 °F.
- Dual Voltage: 115/230



E. J. Schaefer

Convertible Jet Pump

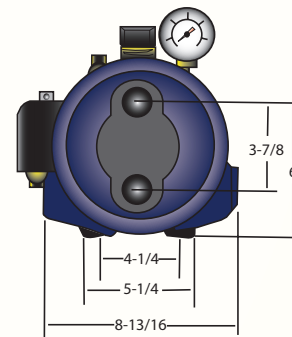
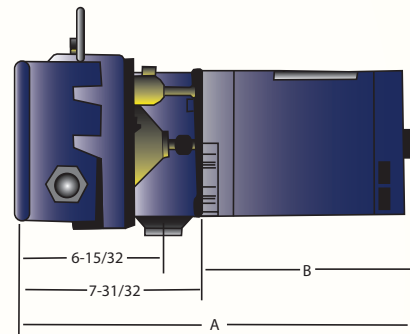
Pro Series Ordering Information:

Pro Convertible Jet Pumps								
Old Model No	New Model No.	HP	Discharge x Suction	Voltage	PUMP UNIT	DEEP WELL INJECTOR		
					Order No.	Suction Lift	Order No.	Wt.
5SFCWJPRO-S	SP05CI-C	1/2	1" x 1.25"	115/230	91120005	30 - 60 Ft.	147E1120	7
						50 - 100 Ft.	147E0915	7
7SFCWJPRO-S	SP07CI-C	3/4	1" x 1.25"	115/230	91120007	30 - 60 Ft.	147E1023	7
						50 - 100 Ft.	147E1118	7
1SFCWJPRO-S	SP1CI-C	1	1" x 1.25"	115/230	91120010	30 - 60 Ft.	147E1125	7
						50 - 100 Ft.	147E1120	7

Dimensions / Weight

HP	A	B	Wt.
1/2	18.65	10.44	48
3/4	19.15	11.19	51
1	19.65	11.44	53

Note: Dimensions will vary according to motor manufacturer.



Deep Well Injector Information: (required for Deep Well Installations)

HP	Injector Ordering No. 30-60 ft Lift	Injector Ordering No. 60-90 ft Lift	Wt.
1/2	147E-1120	147E-0915	7
3/4	147E-1023	147E-1118	7
1	147E-1125	147E-1120	7

Notes: Hardware kit provided with each pump: Screw-in shallow well injector, bypass plug, pipe plugs. Pressure switch is provided and preset to 20-40 PSI. Order pressure gauge and deep well injector separately.

- 1) 1.25" FNPT suction connection and 1" FNPT drive pipe connection.
- 2) Minimum inside well diameter requirement of 4".



Convertible Jet Pump

Pro Series Deep Well Performance:

Pro Series			Discharge Pressure - PSI									Shut-off Pressure PSI	Inj. Min. Operating Pressure
HP	Injector Order No.	Total Suction Lift ft	30	35	40	45	50	55	60	65	70		
			Gallons per Minute										
1/2 hp	147E-1120	30	9	7	5.5	4	2.5	1.5				65	18
		40	7.5	6	4	3	1.5				59		
		50	6	4.5	3	2	1				56		
		60	5	3.5	2	1					52		
	147E-0915	50	6	5	4	3	2.5	2	1			74	23
		60	5	4	3.5	2.5	2	1			70		
		70	4	3.5	2.5	2	1.5				65		
		80	3.5	3	2	1.5	1				61		
		90	3	2	1.5	1					57		
		100	2.5	1.5	1						52		
3/4 hp	147E-1023	30	15.5	13.5	11	8.5	6.5	4	2			66	18
		40	13.5	11.5	9	7	4.5	2.4				61	
		50	11	9.5	7	5	3					57	
		60	9	7.5	5	3	1					53	
	147E-1118	50	9	8	7	6	4.5	3.5	3	2	1	80	23
		60	8	7	6	4.5	4	3	2	1.5		77	
		70	6.5	5.5	4.5	3.5	3	2	1			72	
		80	6	5	4	3	2	1.5				67	
		90	5	4	3	2	1.5				63		
		100	4	3	2.5	1.5	1				30		
1 hp	147E-1125	30	19.5	17	14.5	12	9.5	7	5			72	30
		40	17.5	15	12.5	10	7.5	5	3			67	
		50	15.5	13	10.5	8	5.5	3.5	1			63	
		60	13	10.5	8.5	6	3.5	1.5				59	
	147E-1120	50		11	9.5	8	6.5	5	4	3	2	82	36
		60		10	8	7	5.5	4	3	2	1	78	
		70		8	7	6	4.5	3	2	1		73	
		80		7	6	4.5	3.5	2	1.5			70	
		90		6	5	3.5	2.5	1.5			65		
		100		5	4	3	1.5				61		

- Notes:**
- 1) Pressure Switch Pre-Set 30-50 PSI
 - 2) Maximum pump working pressure is 15 PSI.
 - 3) All the above discharge pressures were measured using 1.25" PVC suction pipe and 1.25" foot valve and 1" drive pipe.

Premium Convertible Jet Pump

Pro Series Shallow Well Performance:

Pro Series			Discharge Pressure - PSI									Shut-off Pressure PSI
HP	Injector Order No.	Total Suction Lift ft	30	35	40	45	50	55	60	65	70	
			Gallons per Minute									
1/2 hp	18-1278-03	5	15.5	13.5	11	8.5	6	4	2			65
		10	13.5	12.5	10	7.5	5	3	1			63
		15	11.5	10.5	8.5	6	4	2				60
		20	9.5	9	7.5	5	3	1				58
		25	7	7	6	4	2					55
3/4 hp	18-1279-02	5	19	18.5	18	16	12.5	9.5	6.5	3.5		70
		10	16.5	16	15.5	14	10	8	4.5	1.5		68
		15	14.5	14	13.5	12.5	9.5	6.5	3.5			66
		20		11.5	11	10	8	5	2			63
		25			8.5	8	6.5	3.5	1			61
1 hp	18-1280-09	5	23	22.5	22	21.5	20	17.5	14	10.5	7	81
		10		19.5	19	18.5	17.5	15.5	12.5	9	5.5	78
		15		16.5	16	15.5	15	13.5	11	7.5	4.5	76
		20			13.5	13	12.5	11.5	9.5	6	2.5	74
		25				10	10	9.5	7.5	4.5	1	71

HP	Injector Order No.	Total Suction Lift ft	Discharge Pressure - PSI									Shut-off Pressure PSI
			50	55	60	65	70	75	80	85	90	
			Gallons per Minute									
High Head 1 hp	18-1278-03	5			11	10	7.5	5.5	3.5	1.5		90
		10			10	8.5	6.5	4.5	2.5			88
		15			9	7.5	5.5	3.5	1.5			84
		20			8	6	4	2				81
		25			7	5	3	1				78

- Notes:**
- 1) Pressure Switch Pre-Set 30-50 PSI.
 - 2) The appropriate injector is included with the units.
 - 3) Maximum pump working pressure is 150 PSI.
 - 4) All the above discharge pressures were measured using 1.25" PVC suction pipe and 1.25" footvalve.



E. J. Schaefer