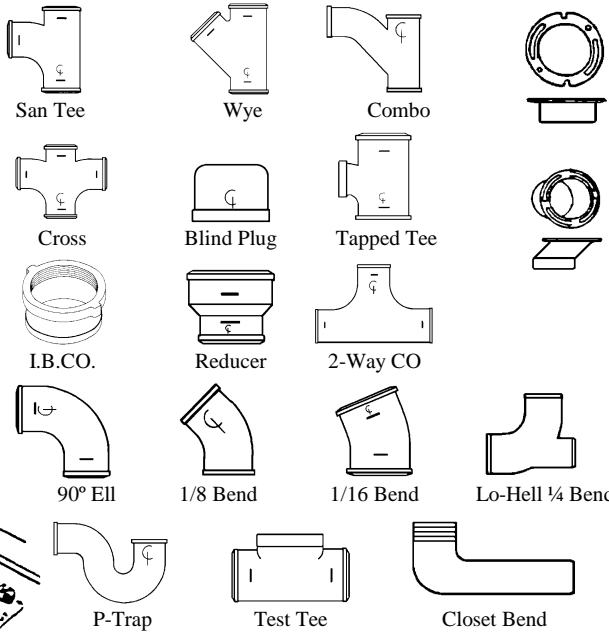
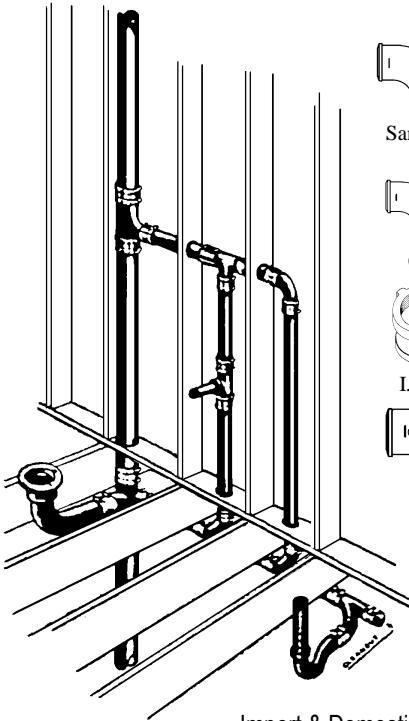


CAST IRON NO-HUB SOIL PIPE FITTINGS



4" x 3" Closet Flange	\$ 34.00
4" x 4" Closet Flange	39.50
4" x 2" Offset Flange	53.00
4" Self Caulking Flange	35.00
3" Self Caulking Flange	35.00
4" S/C Offset Flange	28.00
3x4x6x15" Closet Bend	100.00
4x4x6x15" Closet Bend	139.50
3" x 2" Lo-heel 1/4 Bend	33.00

Import & Domestic

↔ One Reducing Size ↔

	1 1/2"	2"	3"	4"	2"R	3"R	4"R
San Tee	\$ 21.00	20.60	27.75	48.25	22.80	22.50	40.40
Wye.....	21.30	19.10	27.80	44.50		20.60	38.60
Combo	22.70	21.75	34.30	66.00	25.15	27.15	50.50
Cross.....	31.70	38.35	59.10	111.87		52.80	90.90
Tapped San Tee...	27.75	28.25	72.40		22.50	39.25	
Tapped Adapter...	18.15	18.70			18.70		
Reducers (small).....					11.80	11.70	17.75
I.B. Clean Out.....					15.50	17.55	19.50
2-Way Clean Out..			211.70	211.70			
90° Ell standard....	15.00	15.00	20.95	31.00			
90° Ell long sweep..		21.00	27.50	48.30			
1/8 Bend (45°).....	12.60	12.90	17.25	22.65			
1/16 Bend (22 1/2°)....	13.20	13.40	15.45	20.50			
P-Trap.....	25.15	21.75	48.80	92.20			
Test Tee.....		18.75	30.65	54.00			
Blind Plug.....	8.11	8.11	11.80	18.65			

PIPE (Priced per 100')

1 1/2" <	\$ 1,100.00
2" <	860.00
3" <	1,185.00
4" <	1,540.00

NO-HUB CAST IRON COUPLINGS



1 1/2"	2"	3"	4"	2 x 1 1/2"	3 x 2"	4 x 3"
\$ 5.10	5.10	6.10	7.25	6.00	9.35	11.10