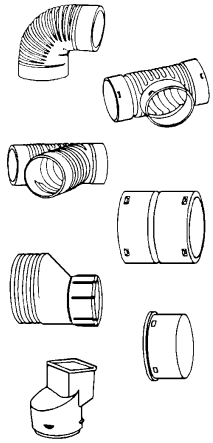


DRAINAGE PIPE - FITTINGS - BOXES & BASINS

CORRUGATED FITTINGS



	3"	4"	6"
90° Elbows	\$ 11.98	14.50	25.95
Tee	9.32	11.66	25.95
Wye	13.50	19.70	30.32
Couplings	5.37	4.24	9.88
Reducers		7.07	11.29
End Cap	3.67	7.29	7.59
Downspout Adapter	9.59		

DRAINAGE PIPE*

Corrugated 100' Rolls

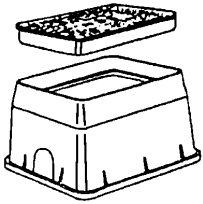
3" < \$ 90.00 / Roll

4" < 106.00 / Roll

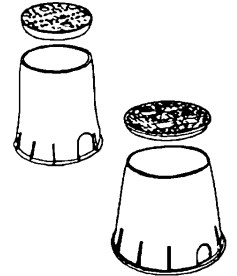
6" < 289.00 / Roll

* Perforated or Solid

PLASTIC VALVE BOXES



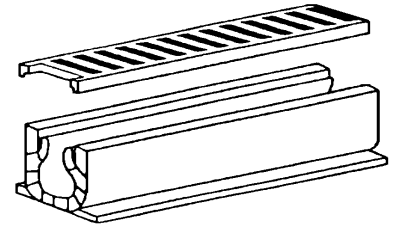
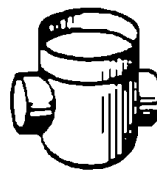
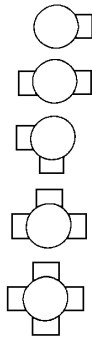
		Size Top x Bottom x Height
Econo Round (208)	\$ 9.05	6" x 9" x 7½"
Standard Round (212)	32.45	9¾" x 12⅝" x 10"
Standard Box (214)	56.75	(10½" x 15¾") x (15" x 20¾") x 12¾"
Jumbo Box (218)	101.00	(15" x 21½") x (18¾" x 25¾") x 12"
Large Box (224)	350.00	(17½" x 30¾") x (24½" x 37⅝") x 15"



SPEE-D-BASINS

Outlets

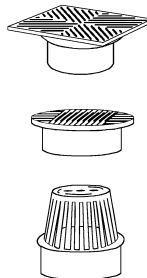
NDS-101	\$ 22.29	Single
NDS-201	22.29	180° Double
NDS-250	22.29	90° Double
NDS-300	40.27	3-Way
NDS-350	46.98	4-Way



GRATES

Size

NDS-950	\$ 23.57	9" Square
NDS-772	14.88	7" Square
NDS-05	9.32	6" Square
NDS-07(01)	6.47	5(4)" Square
NDS-20	16.27	8" Round
NDS-50	13.07	6" Round
NDS-13(16)	4.70	4(3)" Round
NDS-80	20.92	6" Atrium
NDS-75	15.61	4" Atrium
NDS-70	10.36	3" Atrium

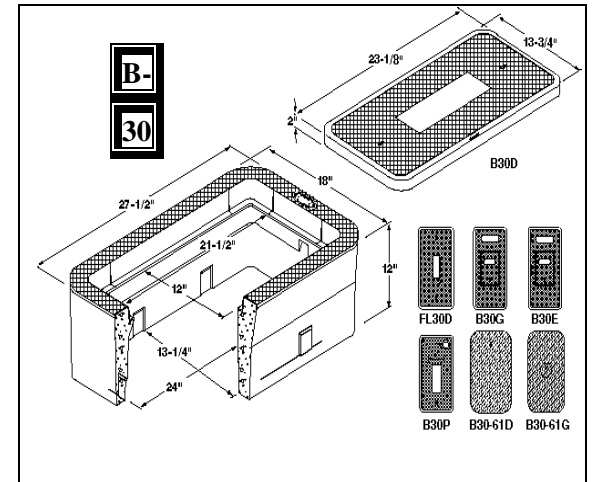
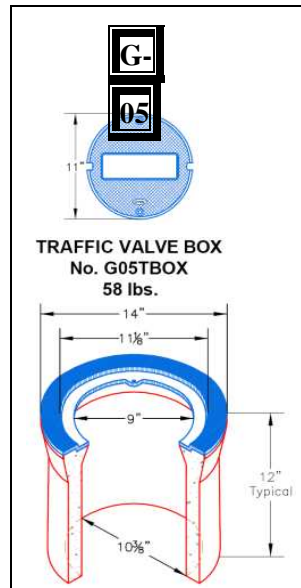
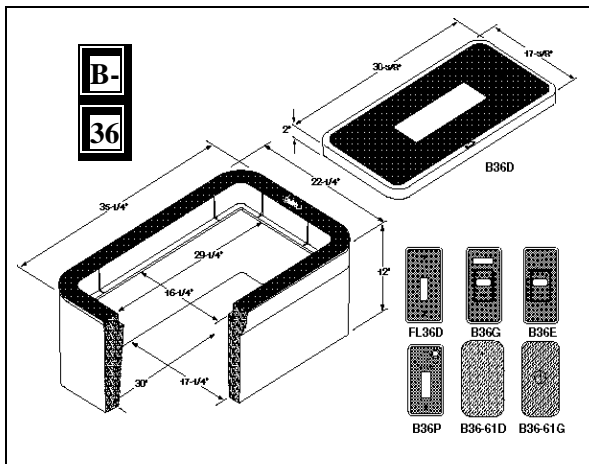
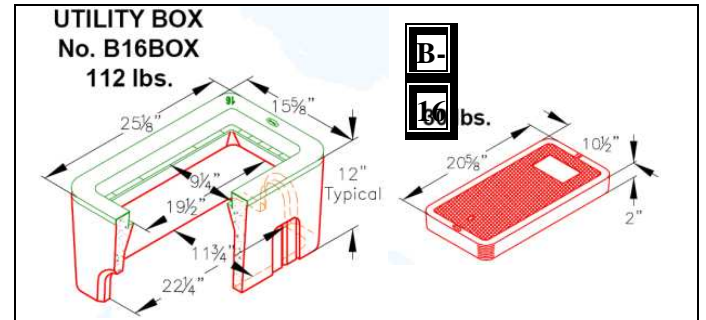
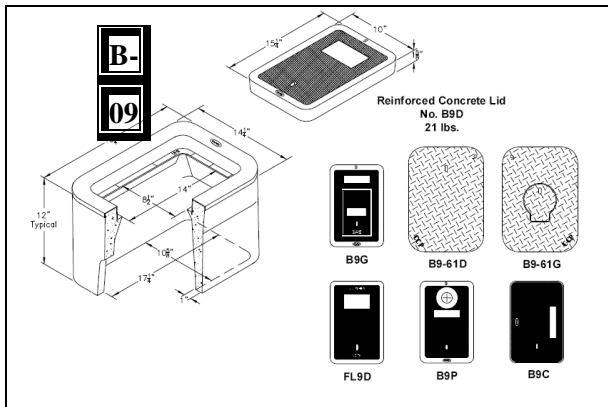
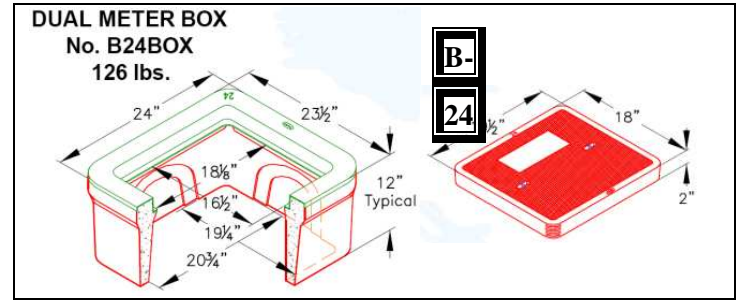
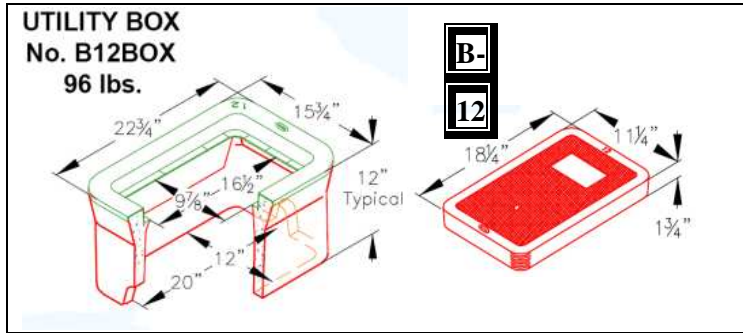


SPEE-D CHANNEL DRAIN

Model

4' Channel Drain	\$ 47.16	400
2' Channel Grate	33.49	241
2' x 3"(4") Outlet Section	50.95	234
Channel Coupling	9.86	248
Channel End Cap	9.76	247
2"(3") End Spigot Adapter	12.03	246/249
7" Tee Section with grate	80.09	2371
7" 90° Section with grate	64.05	2381
7" 45° Section with grate	76.08	2301
7" Cross Section with grate	108.10	2361

Concrete Valve Box



	Valve Box + Lid	Lid Only	Size (x 12"Height)
G-05	\$ 89.00	39.00	14" OD Top - 10 3/8" ID Bottom
B-09	99.00	56.00	14 5/16" x 19 3/4" OD Top - 10 1/4" x 16 3/4" ID Bottom
B-12	111.00	61.00	15 3/4" x 22 3/4" OD Top - 12" x 20" ID Bottom
B-16	125.00	69.00	15 5/8" x 25 1/8" OD Top - 11 3/4" x 22 1/4" ID Bottom
B-24	145.00	85.00	23 1/2" x 24" OD Top - 19 1/4" x 20 3/4" ID Bottom
B-30	158.00	92.00	18" x 27 1/2" OD Top - 13 1/4" x 24 1/4" ID Bottom
B-36	180.00	100.00	22" x 35" OD Top - 17 1/8" x 30 1/4" ID Bottom