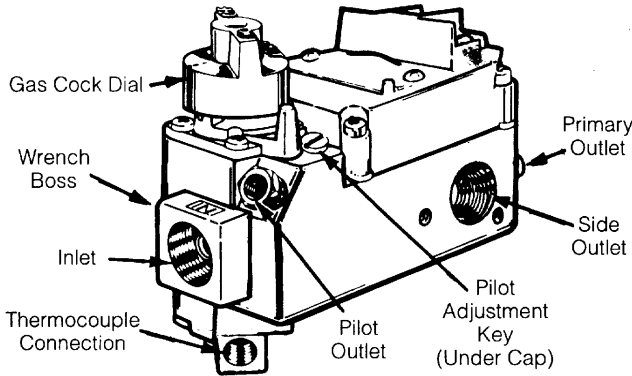


THERMOSTATS - THERMOCOUPLES - GENERATORS



Millivolt gas valve

PILOT GENERATORS

750 Millivolt

(provides enough current to support a wall thermostat)

| | |
|--------------------------|----------|
| 1820-009/019 | \$ 55.00 |
| 1830-001 less Gen | 51.00 |
| 1950-001 35" PG9 | 57.00 |

THERMOSTATS



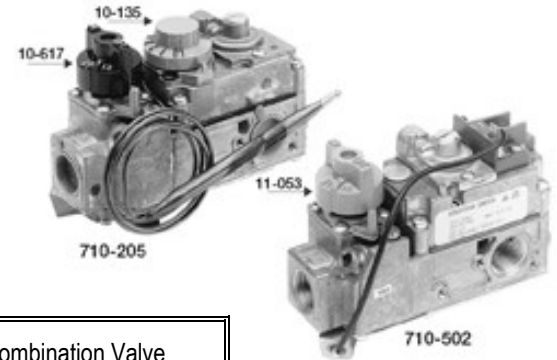
Heat-Cool Voltage

| | | | Heat-Cool | Voltage |
|--------------------------|--------------------|----------|-----------|-------------------|
| Regular Heating | M30 | \$ 21.50 | H | 24v or MV |
| Heating - Cooling | M100 | 28.50 | H-C | 24v |
| Digital Set-Point | NP110 [Ⓢ] | 39.00 | H-C | 24v or MV |
| 5 Day/ 2 Day | P210 | 56.50 | H | 24v |
| Digital 7 Day | UP310 | 98.00 | H | (Baterly -Backup) |

Ⓢ = Set-Point battery powered thermostat - No set back.

GAS VALVES

With Natural Gas Regulator



| | | |
|-----------------------------|-----------|---|
| 710-402 (Robertshaw) | \$ 195.00 | 24v NAT GAS Combination Valve |
| 710-502 (Robertshaw) | 135.00 | (pg9 - G251) mv NAT GAS Combination Valve |
| 710-205 (Robertshaw) | 220.00 | (Thermocouple) mv Remote Bulb Valve |

Universal Ignition Systems Intermittent Pilot Direct Spark Hot Surface

| | | |
|-----------------------------|-----------|--|
| 720-079 (Robertshaw) | \$ 195.00 | Universal Ignition Valve 1/2 x 3/4 NAT/LPG GAS |
| 780-001 (Robertshaw) | 225.00 | Universal Ignition Module Nonlockout |
| 780-002 (Robertshaw) | 240.00 | Universal Ignition Module Lockout (LPG) |



THERMOCOUPLES

(30mv for 24v gas valves)

| | |
|------------|---------|
| 18" | \$ 8.85 |
| 24" | 9.25 |
| 30" | 9.85 |
| 36" | 10.45 |
| 48" | 11.95 |

ACCESSORIES

| | | |
|-----------------|----------|---------------------------|
| 10-038 | \$ 34.00 | Thermocouple Tester |
| 10-389 | 95.00 | Gas Manometer Kit |
| 1922-001 | 31.00 | High Limit Adapter |
| 620-403 | 26.75 | 120Volt x 24v Transformer |

