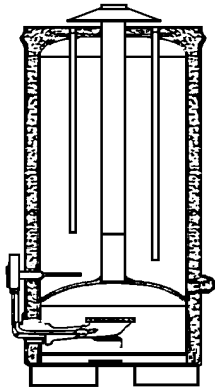


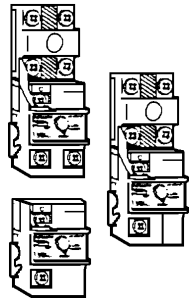
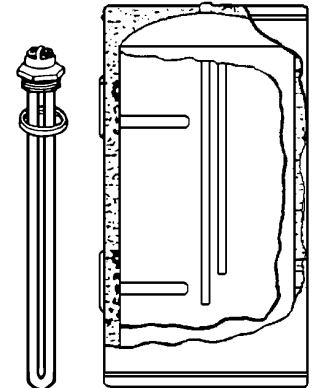
WATER HEATER PARTS



Elements

Watts	List	1"ips Screw-In Elements	Volts	Amps	Ohms
1500	\$ 21.85	~	120 / 240v	12.5 / 6.3	9.6 / 38.4
2000	20.95	~	120 / 240v	16.7 / 8.3	7.2 / 28.8
2500	24.00	~	240v	10.4	23.0
4500	14.35	~	240v	18.8	12.8
6000	33.30	~	240v	25.0	9.6

$Watts = Volts \times Amps - Ohms = Volts / Amps$



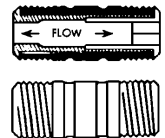
Thermostats

Upper*	Lower	Single* Element
\$ 26.10	12.75	~ 33.75

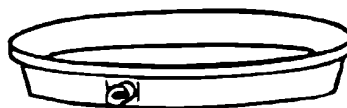
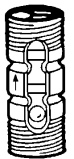
* With High Limit



Miscellaneous Parts & Accessories



Element Gaskets	\$.85	~	\$ 6.75	Dip Tubes
Heavy Element Wrenches	10.40	~	9.25	Run-off tubes
Adapt-A-Flange	8.75	~	5.75	Outlet Nipples
Anode Rod Magnesium	16.95	~	15.95	Outlet Nipples w/checks
Anode Rod Aluminum	24.50	~	10.10	3" T&P Valve extension
Water Heater Drain Cock	9.75	~	8.65	2" Gas Valve extension
Intermatic EH-40 240V Timmer	145.00	~	136.00	Intermatic EH-10 120V Timmer



Aluminum Water Heater Pans



w/drain (side or bottom outlet)

19" Rd	22" Rd	24" Rd	26" Rd	30" Rd	36" Rd	31" x 29"	Drains
\$ 19.80	21.25	22.50	32.15	48.00	62.00	68.00	~ \$ 4.95
Heavy Plastic		26.35					