



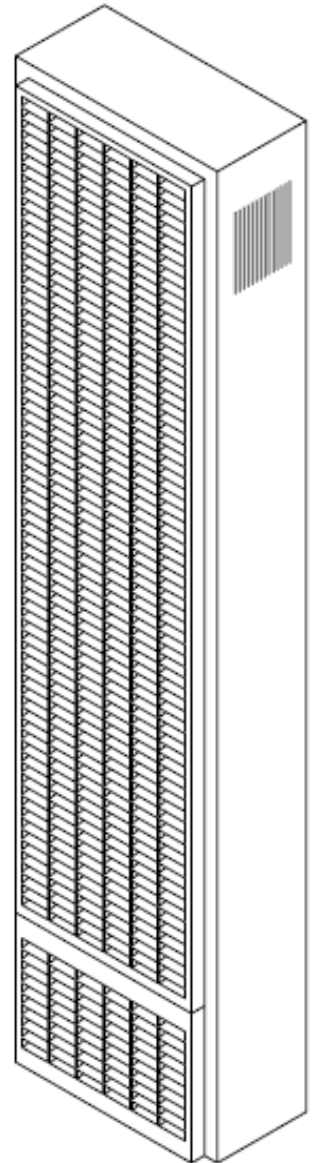
MONTEREY WALL HEATER

Top Vent

Face Panel Size 16"W x 65³/₄"H x 6"D

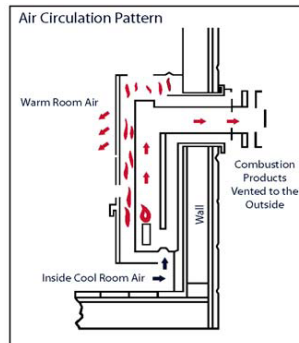
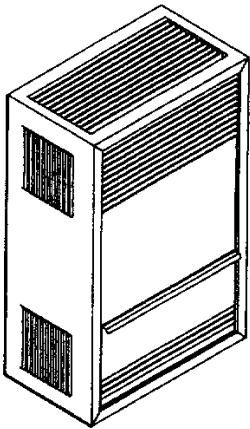
Model (1=LPG)	BTU	AFUE	
SRO25-09622A(1)	25,000	67%	\$ 820.00
SRO35-09622A(1)	35,000	66%	875.00
SRO50-09622A(1)	50,000	67%	1,205.00

2901 SRO Blower \$ 203.00



Heater Sizing guide

For the mild climate of Eureka you should allow 5BTU per cubic foot of living space. For a 600/Sq. Ft set of rooms with 8Ft ceilings the heater size should be 35,000BTU.



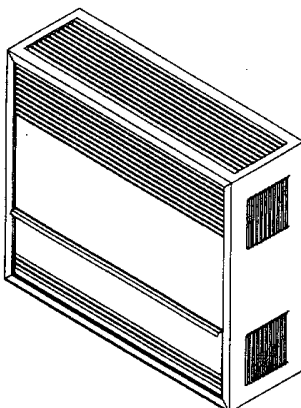
DIRECT-VENT WALL HEATER

Through-The-Wall Vent ♦ Push-Button Pilot

Model (1=LPG)	BTU	AFUE	Size	
CHA14-03822(1)	14,000	65%	18"W x 26 ³ / ₄ "H x 7 ¹ / ₂ "D	\$ 990.00
CHA22-03822(1)	22,000	67%	32 ¹ / ₈ "W x 28"H x 10 ¹ / ₄ "D	1,200.00
CHA30-03822(1)	30,000	66%	32 ¹ / ₈ "W x 28"H x 10 ¹ / ₄ "D	1,275.00

2302 Blower (22-30,000BTU) \$ 256.00

2303 Blower (14,000BTU) 234.00



Williams Wall Heater Information Sheet

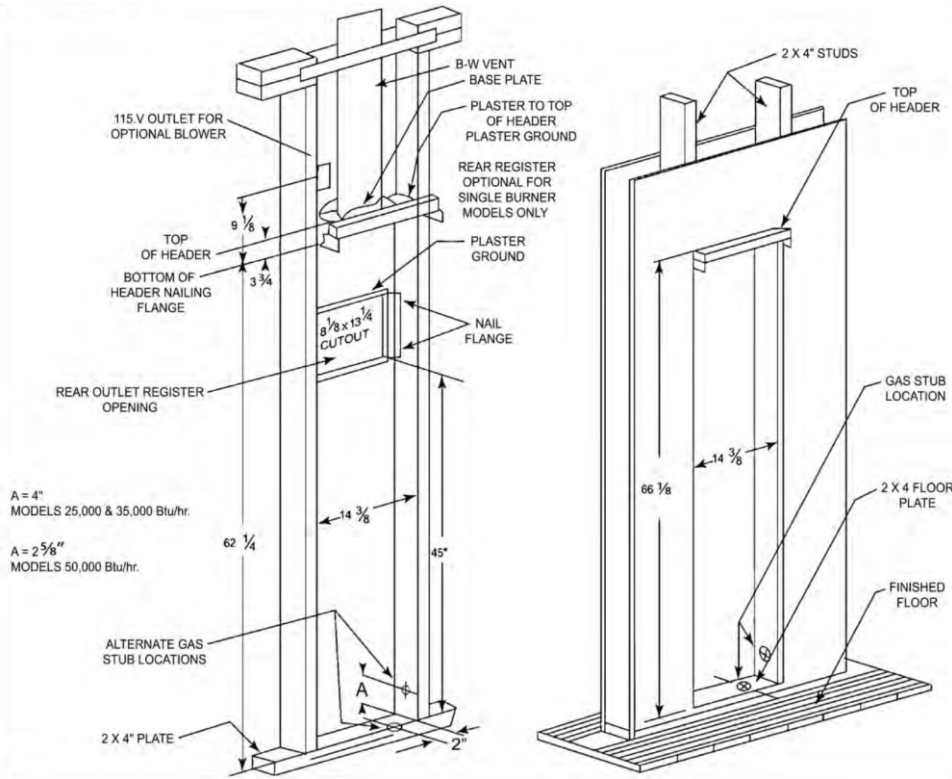
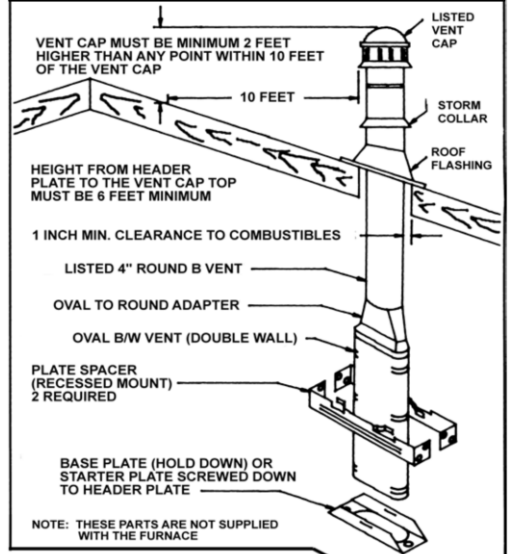


Figure 8 – Typical Vent Installation



NOTE: THESE PARTS ARE SUPPLIED WITH THE FURNACE

